



THE NEW VOLVO XC40





R-Design with optional sunroof shown.



INNOVATIVE. BY DESIGN

Introducing the Volvo XC40, the compact SUV born from Swedish innovation. Built for city life and designed around you.





R-Design shown





YOU'RE IN CONTROL

Experience the feeling of confidence and control on every journey in the XC40, with a high seating position and agile handling that put you in command.

AN SUV.
WITH A TWIST

The XC40 is the authentic SUV for the city. High ground clearance, large wheels and true SUV proportions give it a powerful stance. And from the bold front grille to the beautifully detailed taillights it's every inch a Volvo. Uniquely Scandinavian and unmistakably urban, it's built for city life.







STAND TALL

High ground clearance gives the XC40 a powerful stance and excellent visibility. Large wheels and tyres cope effortlessly with any road. This is the SUV that allows you to rise above it all.

ALWAYS READY

Large alloy wheels and a wide body give the XC40 a strong presence. This is an SUV that's ready for anything.



MAKE A BOLD IMPRESSION

Make a statement with a choice of contemporary colours. And, depending on trim level, the roof and door mirror housings can be specified in a contrasting colour for an even bolder look. (Momentum and R-Design only)



STRENGTH OF CHARACTER

The XC40 expresses toughness, and is unmistakably a Volvo, through features such as its proud grille, T-shaped light signatures and sculpted front bumper with skid plate.

LIGHTING WITH DISTINCTION

See and be seen, day or night, with LED headlights that feature Volvo's unique T-shaped light signature. They automatically adjust the beam height, and switch between dipped and full beam, to provide the best view and avoid dazzling other road users. The (optional on Momentum) high-level LED headlights include active bending lights that turn with the steering (by up to 30°), to provide a better view through corners.



R-Design option

SPECIALLY DESIGNED ALLOY WHEELS

A selection of alloy wheels helps you to create your perfect XC40. Each one has a bold, dynamic design, as well as the attention to detail and high-quality finish you expect from a Volvo car.



WHY WE INNOVATE



Because you have a wave to catch
And a mountain to climb
Because you promised the kids to go skiing tomorrow
Because you need a break
And sometimes a brake
Because elks don't read road signs
And neither do cows or kangaroos
Because parallel parking should be a cakewalk
Because you appreciate beauty and craftsmanship
Because you love the feel of hand-stitched nappa
Because you have blind spots
Because it's been a long day
Because you don't have eyes in the back of your neck
Because you want to be in control
Because you expect to be entertained
And informed
And occasionally pampered
Because you forgot where you parked
Because you would rather share than own
Because there are road works today
Where there were none yesterday
Because we want to impress you
And that isn't easy
Because you care about the future
Because we live on a finite planet with finite resources
Because you're human
Because time is not money, but life

WHEN WE INNOVATE, THE CAR IS NOT TOP OF MIND.

We admit it. You fascinate us. We think and talk about you all day. Everything about your life – its ups and downs, joys and disappointments, needs, demands, frustrations and hopes – captivates us.

So when we innovate, every detail – from service design right down to the teeniest screw – has to justify itself to you. Does it add anything? Is it useful?

All this time spent thinking about your life has allowed good things to happen. Perhaps you didn't know, but we have a vision that by 2020 nobody dies or is seriously injured in a new Volvo. Nice-sounding words? Not at all, it's realistic and achievable.

We know you live a rich, fulfilling life in almost every way. We say almost, because there's one commodity you seem to be short of. Time. So by 2025, we aim to pack every new Volvo with enough smart solutions to free up a whole week of quality time per year. 168 hours to do with as you please.

We also know you care about the future of the planet. That's why our Drive-E technologies allow you to drive sustainably – without compromising on performance. We know you want to stay connected to the world around you. Our Sensus solutions ensure you are. We know you always want to feel in control. Our IntelliSafe technologies not only help to save lives, but also give you more enjoyment behind the wheel.

And we know you're interested in self-driving cars. Each day we take pioneering steps in our quest to deliver a safe and relaxing autonomous driving experience. The same goes for fully electrified powertrains. And even smarter services.

We happily walk the extra mile to give you what you want.

You are why we innovate.







AN INTERIOR TO INSPIRE

Bold, progressive design is the hallmark of the Volvo XC40, and the cabin embodies forward-thinking Scandinavian style. An uncluttered layout lets you focus on the beautiful details, while the high seating position means you always feel in control. Carefully crafted and selected materials indulge the senses, and intuitive technology puts you in command. The cabin of the XC40 is a place that will inspire you on every journey.

BEAUTY IN DETAIL

It's details that set Volvo Cars interiors apart. The thought, effort and craftsmanship that go into the smallest elements in the cabin of the XC40 help to create a unique and special feeling each time you climb inside.

Natural light from the optional panoramic roof, our characteristic frameless rear-view mirror, and high level LED lighting (option on Momentum) on the distinctive concave decor panels on the dashboard are just a few of the visual highlights in a cabin designed to look great – and to make you feel good.



LAVA CARPETING

One of the highlights of the R-Design variant is the availability of Lava carpeting and door inserts. It has a rich, bold colour that perfectly expresses the youthful character of the XC40.

HIGH LEVEL LED LIGHTING

The XC40 is available with high level LED interior lighting (option on Momentum) that highlights the beautifully sculpted dashboard and smart decor panels at night.

SUSTAINABLE BEAUTY

Made from 100% recycled material, the textile interior mats of the XC40 combine modern style with a sustainable, environmentally responsible approach.

DOOR HANDLES

The bold, finely crafted door handles in the XC40 echo those in our larger SUVs, while their metallic finish feels great to the touch. The XC40 is a car that rewards all your senses.



AIR VENTS

The air vents in the XC40 are an example of our designers' ingenuity, with an innovative design that combines a beautiful minimalist appearance with effortless functionality.



PANORAMIC ROOF

The interior of the XC40 is shaped by a uniquely Swedish appreciation of light. An optional panoramic roof floods the interior with natural light by day.



REALLY CLEVER STORAGE

The **inventive storage** solutions in the XC40 are the result of us listening to our customers and understanding what they want from their cars. The front door pockets are each large enough for a laptop, handbag or even three large drinks bottles. This feature is made

possible by Air Woofer Technology, a Volvo Cars innovation that uses an audio speaker mounted behind the dashboard, rather than the doors, to free up space where you need it most. It's just one of the many ways that the XC40 helps to make every day easier.



WIRELESS PHONE CHARGING

There's a space beneath the centre touch screen where a mobile phone can be stored and wirelessly charged, helping to reduce clutter.

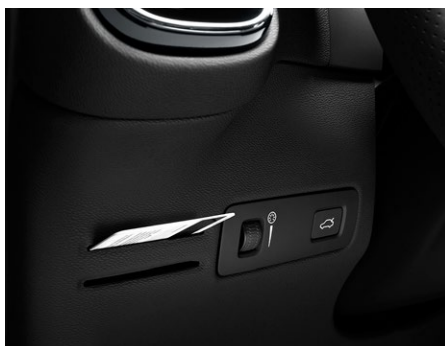
SMART STORAGE

The storage bin under the front centre armrest is large enough to hold a small handbag or even a full-size tissue box, and has a removable storage box ahead of it.



LARGE DOOR BINS

Doors free of speakers means that there is space for front door pockets that are each large enough to fit a laptop, or which can each hold three one-litre drinks bottles.



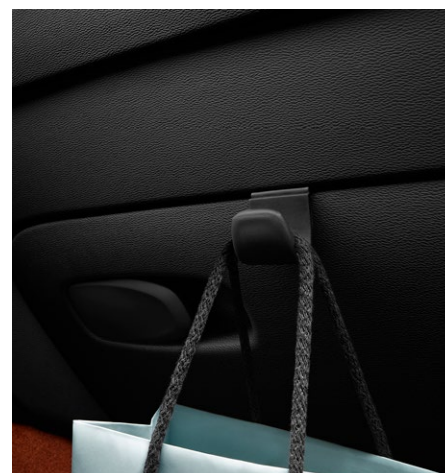
CARD HOLDER

A card holder integrated neatly into the dashboard allows you to keep a credit or parking access card easy to find and reach when you need it.



BAG HOOK

Keep a small bag or takeaway food secure with a hook that folds neatly out of the glovebox and prevents items moving around or spilling while you're driving.





A VERSATILE SPACE

Everything starts with people at Volvo Cars – it's why we look, listen, and design cars around their needs. And it's why the XC40 is full of practical, versatile features that help you carry what you want as easily as possible. Load and unload your car with ease thanks to a large cargo area that can be accessed by a hands-free power-operated tailgate (option on Momentum). If you need to carry bulky or unusually tall items then you can take advantage of the foldable load floor. And if you need even more space, fold the rear seat backrests flat at the touch of a button (option).



Go hands-free

When your hands are full, the power-operated tailgate (option on Momentum) makes life easy. And when combined with the keyless entry option it means you only need to move your foot under the rear bumper to open or close it automatically.



The right fit

The XC40 helps you fit your life into your car. The load compartment is one of the largest in the class, with a regular shape that helps you make the most of the space. And the folding load floor helps you adapt it to whatever you're carrying.

To make the load area as versatile as possible, the folding floor can be placed in multiple positions. There are also load-securing eyelets to keep delicate items safe and to protect the car's occupants, plus two bag hooks that ensure your shopping doesn't move around or spill in transit. Whatever type of load you need to carry – large or small – your XC40 helps make it effortless.

IN SYNC WITH YOU



Your guide

Sensus Navigation is your guide, helping you to find our destination and keeping you informed. With clear mapping, free lifetime map upgrades and the availability of apps that help you find what you're looking for and share your location, you can enjoy the journey ahead.

Every interaction in the XC40 feels natural and intuitive. From the easy-to-use centre touch screen to the high-resolution driver display and voice control that understands normal speech, technology is there to make things simple.

It's as familiar and intuitive as using your phone. You can control most functions via the centre display with touch screen – its portrait format and bold, clear graphics make it easy to read, and it's so responsive that you can use it wearing gloves.

The 12.3-inch digital driver display helps you keep focused on the road ahead by putting as much information as possible directly in front of you. And it automatically adapts to the surrounding light conditions, becoming brighter or dimmer depending on the light coming from outside the car.



Momentum with optional 19" Alloy wheel shown



DESIGNED FOR SOUND

We understand that music can make the difference, and the XC40 has been engineered to let you enjoy your favourite music to the full. Every XC40 features Air Woofer Technology that delivers precise, powerful bass.

For an even more immersive experience, choose the optional Harman Kardon® Premium Sound audio system. This top-of-the-range audio system – a collaboration with one of the world's leading audio brands – has 13 speakers for a beautifully balanced, powerful sound.



All about the bass

The XC40 features Air Woofer Technology – a new type of audio speaker that brings you precise sound and great bass reproduction. And because it’s mounted behind the dashboard, rather than the doors, it frees up the cabin for valuable extra storage space.



Streaming. On demand

Access to streaming services is just the touch of a button or a voice command away in the XC40. And support for Apple CarPlay™ and Android Auto™ means that you can listen to music, news, and audiobooks easily via your favourite apps.



Harman Kardon® Premium Sound

Enjoy your favourite music to the full with the optional Harman Kardon® Premium Sound in the XC40. This top-of-the-range audio system draws on the expertise of one of the world’s leading audio brands to provide powerful, detailed sound.

EXPERIENCE CONTROL

The XC40 has a high seating position that puts you in command and gives you a great view of the road ahead. It is a car that elevates you above the everyday, with thoughtful, uncluttered design that means you always feel in control behind the wheel. Intuitive technology is

there to make your life less complicated – the easy-to-use centre touch screen is so responsive that you can use it wearing gloves, while the high-resolution driver display looks great and is easy to use in any light.





The human touch

At the heart of the cabin is our centre display with touch screen – a feature familiar to the new generation of Volvo cars that blends beautiful design with ease of use. The portrait format makes reading information – and following sat-nav maps – especially easy.

INTELLISAFE *Redefining safety every day*





TECH THAT HELPS

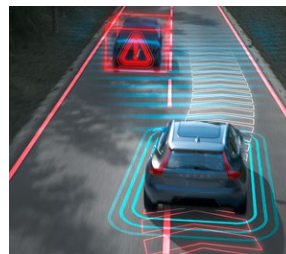
Every journey is easy in the XC40, thanks to a range of helpful Volvo Cars innovations. Optional Pilot Assist technology makes driving in heavy traffic less tiring. It helps you keep a set distance to the vehicle in front and uses small steering inputs to help you keep the car in the centre of the lane, at speeds of up to 130 km/h. Optional Adaptive Cruise Control lightens the load by keeping the XC40 at a set distance from the car in front; you set the gap and the XC40 will adapt its speed to maintain that distance.

CITY SAFETY: PROTECTING WHAT'S IMPORTANT

Volvo Cars is synonymous with safety, and the advanced features in the XC40 are the result of decades of experience and innovation – they are there to help you avoid a collision and protect you and your passengers if one should occur.

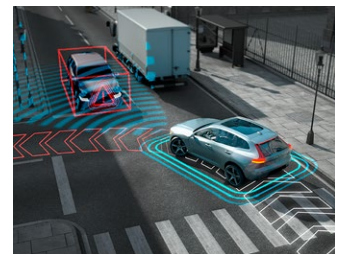
At the heart of everything is City Safety. This innovation identifies other vehicles, pedestrians, cyclists and large animals ahead, even at night, and warns you if a collision is imminent. If you don't react in time, it will apply the brakes automatically to help avoid or mitigate a collision.

City Safety is standard for every XC40. It will play a key role in helping us to realise our vision that, by 2020, no one will be killed or seriously injured in a new Volvo car.



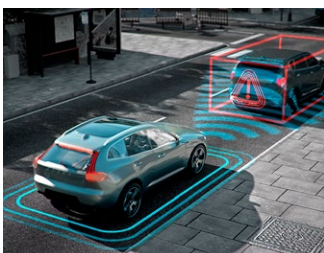
Oncoming Lane Mitigation

Using automatic steering assistance, this system helps you avoid collisions with oncoming vehicles. If you drift across the lane markings in the way of an oncoming vehicle, your car steers back.



Intersection Braking

City Safety includes an intersection braking function that can help to make an accident at a road junction less likely or less harmful. This feature – a world-first when it was introduced in the Volvo XC90 – automatically brakes the car if the driver turns into the path of an oncoming vehicle.



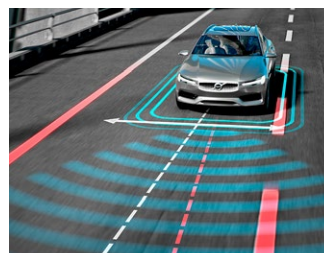
Rear collision Warning

Included as part of the IntelliSafe Surround option, our rear collision warning system works to protect you if it detects a risk of a collision from behind. Just before a collision, the system will automatically tension the prepared front safety belts and, if your car is at a standstill, will also activate full autobraking to help reduce the risk of whiplash injury.



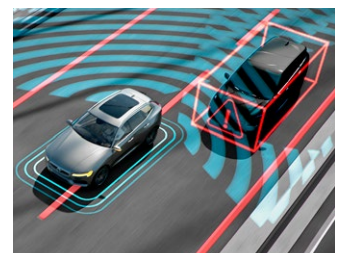
Run-off road Mitigation

Our Run-off road Mitigation technology helps to keep you safe by keeping you on the road. If this innovation detects you are about to leave the road unintentionally at any speed between 65 – 140 km/h, it uses steering input and, if necessary, brake support to guide you back on track.



Lane Keeping Aid

Fitted as standard, this feature monitors the road ahead and gently steers the car back into its lane if it detects that you're about to cross a lane marking unintentionally. If the car's steering adjustment isn't enough, or if you cross into the other lane, you'll be alerted by gentle vibrations through the steering wheel.



BLIS™

Our Blind Spot Information technology makes journeys safer and less stressful by providing better awareness of traffic on the highway. It uses radar sensors to monitor the road behind, and to the side of you, and warns you of vehicles that are approaching, or alongside you, to help reduce the chance of a collision.

PARKING. MADE EASIER

Parking is easy in the XC40 thanks to its compact dimensions, elevated seating position and responsive steering – and technology is there to help. The optional 360° camera available for the XC40 uses the images from discreetly mounted cameras to create a view of the car as seen from above. It allows you to clearly see where the car is in relation to other vehicles and objects, helping you to avoid them.

Park Assist Pilot is an optional self-parking function that can steer the XC40 into a parallel space just 1.2 times the car's length, or into a standard parking bay. All you need to do is operate the accelerator and brakes (when the car advises you to).



The optional Park Assist Pilot also helps you find a space, by alerting you if one is big enough as you drive by it, and can also assist when leaving it. Cross Traffic Alert (CTA) with Brake Support (standard) makes reversing out of spaces safer. Radar sensors in the rear bumper detect whether you are about to reverse into the path of an oncoming vehicle, cyclist or pedestrian. If it detects something, it will warn you, then brake if necessary to avoid or mitigate a collision.



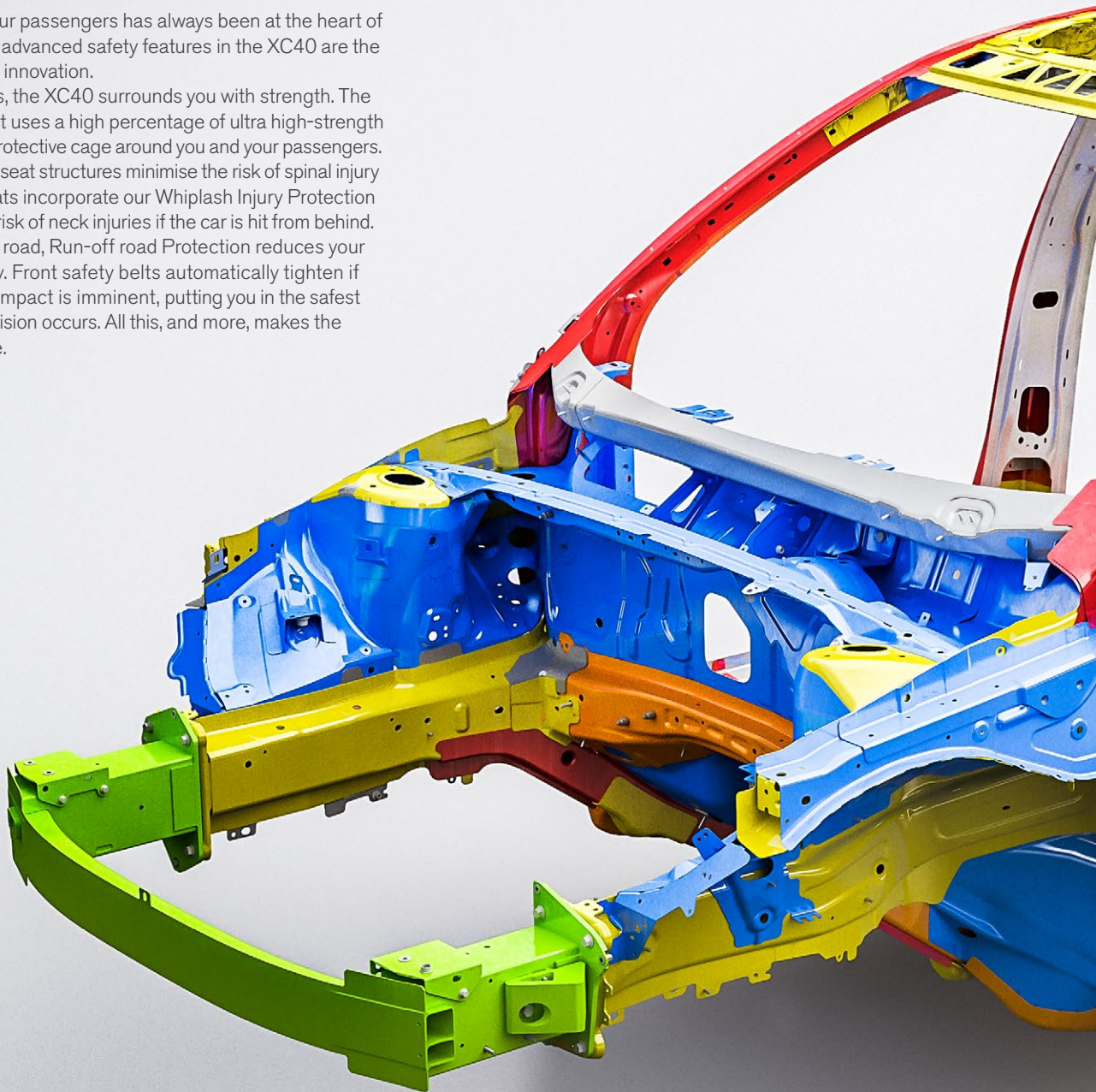
A better view

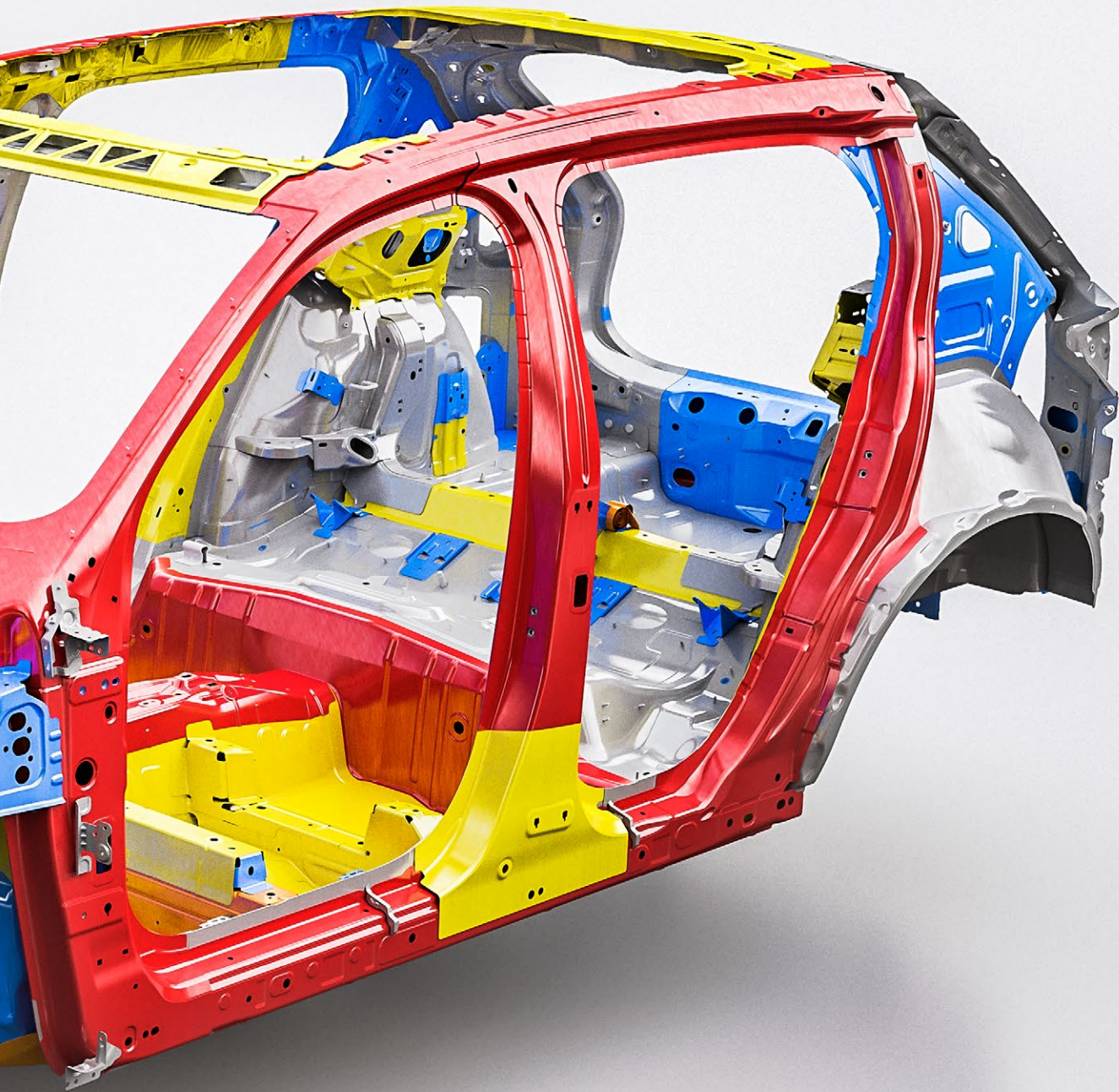
The optional 360° camera available for the XC40 gives you a detailed 'bird's-eye' view of your car from above, so you can see where it is in relation to other vehicles and objects. It's especially useful in tight spaces and crowded car parks, and helps you keep your car free from scrapes.

SAFER THAN EVER

Protecting you and your passengers has always been at the heart of every Volvo car, and the advanced safety features in the XC40 are the result of our decades of innovation.

As with all of our cars, the XC40 surrounds you with strength. The passenger compartment uses a high percentage of ultra high-strength boron steel to create a protective cage around you and your passengers. Specially designed front seat structures minimise the risk of spinal injury on impact. The front seats incorporate our Whiplash Injury Protection System to minimise the risk of neck injuries if the car is hit from behind. If your XC40 leaves the road, Run-off road Protection reduces your chance of serious injury. Front safety belts automatically tighten if the car senses that an impact is imminent, putting you in the safest possible position if a collision occurs. All this, and more, makes the XC40 a safe place to be.





AGILE. RESPONSIVE. IN CONTROL

Wherever you take your XC40, you'll always feel in control. Enjoy agile, energetic responses from behind the wheel – whether you're in the city or out on the open road – thanks to sophisticated suspension that makes extensive use of lightweight aluminium. Selectable drive modes allow you to set your car's responses to suit your mood, adjusting settings for the engine, automatic gearbox, Electronic Stability Control, steering and Start/Stop function. The optional Four-C chassis features electronically controlled suspension dampers for an even greater degree of versatility and control over how your XC40 drives. Models equipped with all-wheel drive give improved traction, for the most efficient acceleration from a standstill and an even more secure feel in slippery conditions or when towing. And Hill Descent Control make descending steep or slippery slopes as safe as possible.

Smart powertrains give you the responsiveness you want and low emissions and fuel consumption. There's no need to compromise. It's all thanks to our new family of sophisticated turbocharged engines. These compact, lightweight powertrains balance smooth power with efficiency. And they keep weight at the front of the car to a minimum, which improves handling agility.

Power is transmitted to the road by highly efficient, smooth-shifting transmissions, including an eight-speed automatic transmission that allows you to shift using optional steering wheel-mounted paddles. The XC40 is a car that allows you to take control, and which inspires confidence, however long or short the journey.





YOUR JOURNEY BEGINS HERE

We created the new XC40 with one single purpose: to provide you with a city SUV that perfectly fits you and your lifestyle. It's a car that meets your expectations of a fun, agile drive with exceptional comfort and distinctive Scandinavian design – built with care for people and the world we share. And designed to be intuitive to use and to make life easier, the XC40 is a pleasure to live with every day.

At the heart of your XC40 is an efficient, responsive petrol powertrain. Whichever variant you choose, you will enjoy our latest Drive-E technology that gives you responsive power. Fuel consumption and



T5 AWD R-Design shown

CO₂ emissions are kept low, and our powertrains already comply with future exhaust emission legislation.

The engine is mated to our eight-speed Geartronic™ automatic gearbox for a smooth and intuitive drive. For an extra edge, you can add our responsive AWD all-wheel drive technology that gives you increased driving stability and traction on all roads and in all weathers.



T5 AWD

The 185kW/350Nm T5 AWD petrol powertrain is as responsive on the highway as it is in the city. This superb all-rounder delivers generous power just where you need it, ensuring excellent driveability in combination with our smooth 8-speed Geartronic™ automatic gearbox and all-wheel drive.

T4 FWD and AWD

Enjoy smooth and highly efficient driving with a steady flow of power already from low revs. Mated to a smooth 8-speed Geartronic™, our 140kW/300Nm T4 petrol powertrain adds to your feeling of total control.

Figures according to ADR 81/02 derived from laboratory testing. Factors including but not limited to driving style, road and traffic conditions, environmental influences, vehicle condition and accessories fitted, will in practice in the real world lead to figures which generally differ from those advertised. Advertised figures are meant for comparison amongst vehicles only.

READ MORE AT VOLVOCARS.COM/AU





VOLVO XC40 R-DESIGN

Inspired by performance, with contrasting sporty design into every detail, inside and out.



VOLVO XC40 INSCRIPTION

A fresh flair of Swedish luxury.



VOLVO XC40 MOMENTUM

Strong, contemporary style with a confident urban look, available in contrasting combinations. (no cost option)
(Optional 19" alloy wheel shown)

CREATE YOUR OWN SWEDISH CITY SUV

Our approach in everything we do is to always put people first. This also includes allowing you the freedom to create a Volvo that reflects your individuality and fits perfectly into your life.

Inspired by the pulse of urban city life and fashion, the new XC40 is just as individual as you are. We have created three different design expressions – each with a very distinctive style and character: the sporty XC40 R-Design, the more luxurious XC40 Inscription and the vivid XC40 Momentum.

Whatever you prefer, you can rest assured there's a Volvo XC40 for you. Read on, and see what your new XC40 will look like.

NB. The trim levels may vary from country to country. Please talk to your Volvo Car dealer for the latest information.

RDESIGN

THE SPORTY LOOK

The XC40 R-Design expression catches the sporty soul of your Swedish city SUV, with a glossy black colour theme including the roof and other distinctive exterior design details. The large alloy wheels enhance the car's road presence and add to the powerful look. It's an expression that catches the eye from every angle and hints at the promise of an amazing drive.

Inside the driver-focused Charcoal interior, you're surrounded by bespoke materials and trim. Your body is comfortably supported by the R-Design seats in Perforated Fine Nappa Leather accent/Nubuck Textile upholstery. Everything – from the R-Design sport steering wheel with optional gearshift paddles to the Charcoal headliner – is there to inspire and put you in control. And unique for the XC40 R-Design, the optional Lava interior carpeting creates a youthful, stylish ambience that will energise your every drive.





INSPIRED BY THE ART OF DRIVING

The XC40 R-Design is our most powerful expression, characterised by dynamic contrasts and a confident presence. Unique exterior design details in glossy black, such as the front grille, the roof and the door mirror caps, together with large alloy wheels make it possible to create a truly distinctive look. The sporty theme continues on the inside, with R-Design Perforated Fine Nappa Leather accent/Nubuck Textile seats, optional Lava carpeting and concave Cutting Edge aluminium decor. A sport chassis ensures you're in control with maintained ride comfort.



The glossy black roof creates a strong character – depending on your choice of exterior colour, it can make a dramatic impact on the look of your XC40 R-Design. The embossed R-Design logo in the rear-most door pillar makes a subtle yet distinct statement about the car you drive.

The large 20-inch 5-double spoke alloy wheels in distinctive Matt Black Diamond Cut design add to a powerful stance in perfect harmony with the signature design T-shaped LED headlights and glossy black design elements such as the front grille, the door mirror covers, the roof and the integrated roof rails.

The XC40 R-Design grille features a glossy black frame and a high-gloss black insert with a horizontal mesh for a unique look.



Optional 360° camera shown.

From the rear, the integrated dual tail pipes and glossy black rear skid plate add to the impression of sporty elegance.





The concave Cutting Edge aluminium decor with high level LED lighting creates a sporty, exclusive ambience inside your XC40 R-Design – day and night.



Upholstered in exclusive Perforated Fine Nappa Leather accent/Nubuck Textile, the multi-adjustable R-Design seats provide generous body support wherever you go. Contrasting white stitching and piping adds to the sporty ambience, while the optional mechanical seat cushion extensions provide extra thigh support.

Enjoy the dynamic feeling inside your XC40 R-Design. The Charcoal interior with optional Lava carpeting and door inserts create energizing contrasts, while the exclusive R-Design seats, the Cutting Edge aluminium decor and the R-Design Leather accented gear knob with white stitching enhance the car's sporty soul.



The driver-focused XC40 R-Design interior with R-Design steering wheel partly clad in Perforated Leather accent, a Leather accented gear knob, aluminium sport pedals and optional gear shift paddles puts you in the centre of action.

The exterior colour you choose for your XC40 R-Design makes a big impact on the visual expression. For example, Crystal White with the contrasting glossy black roof gives a cool, robotic look, while the Black Stone exterior colour adds to a more mean, powerful style – especially with the large alloy wheels in Matt Black Diamond Cut.



20" 5-double spoke
Matt Black Diamond Cut
(standard)



19" 5-double spoke
Matt Black Diamond Cut
(no cost option)



707 Crystal White metallic

GLOSSY BLACK ROOF

On the XC40 R-Design, the roof is always in glossy black. This makes a strong character, while it perfectly matches the car's other glossy black exterior design elements.



711 Bright Silver metallic



720 Bursting Blue metallic



714 Osmium Grey metallic



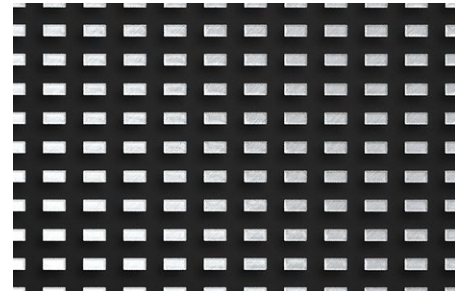
019 Black Stone
(standard)



725 Fusion Red metallic

The sporty XC40 R-Design interior in Charcoal is the perfect environment for an agile driving experience. The sporty cockpit feel is further enhanced by the Charcoal headlining, while the optional Lava carpeting and door inserts adds a powerful graphic twist.

▼
Cutting Edge aluminium decor



▼
Nubuck/Leather accented Fine Nappa
Charcoal, Lava interior carpeting
(optional)



▼
Nubuck/Leather accented Fine Nappa
Charcoal, Charcoal interior carpeting
(standard)

▼
The R-Design seats are upholstered in
a stylish combination of Perforated Fine
Nappa Leather accent and Nubuck Textile
with contrasting white seams and piping for
a truly sporty look and feel.





Inscription

THE FRESH FLAIR OF LUXURY

We created the XC40 Inscription to give you a new take on Swedish luxury. It's about stylish detailing and a meticulously crafted interior with fine, authentic materials – all to give you the very best of contemporary Scandinavian design.

Already the exterior hints the experience that awaits you inside the XC40 Inscription. Four unique metallic body colours, tastefully composed chrome details, skid plates in Silver finish and unique Black Diamond Cut alloy wheels make up for a harmonic yet distinctive look.

Inside the XC40 Inscription you can relish in exclusive Leather accented seats, surrounded by thoughtful design and natural materials such as the exclusive yet rugged handcrafted Driftwood decor in ash veneer and a gear shifter in Swedish crystal. A large exterior colour palette and many available interior colour combinations make it easy to create the XC40 Inscription that's really you.



CONTEMPORARY LUXURY

The XC40 Inscription brings luxury with a contemporary Swedish twist. Perfectly blending into urban life, its stylish exterior with chrome detailing and large Black Diamond Cut alloy wheels add to a confident appearance wherever you go. Leather accented seats, illuminated decor in Driftwood, a unique crystal gear shifter and exclusive Inscription textile mats give a relaxed, pampered feeling as you drive through the city.



The chrome lower window frames and the integrated roof rails in bright aluminium add a jewel touch to the exterior of your XC40 Inscription. In the rear pillar, the embossed Inscription logotype hints at a new kind of luxury.



The Inscription grille with high-gloss black inserts, vertical chrome bars and chrome frame together with our signature design LED headlights and matt Silver finish front skid plate create a distinctive and luxurious look.



Our optional large 20-inch five-spoke Black Diamond Cut alloy wheels enhance the distinct road presence of your XC40 Inscription.

The XC40 Inscription radiates style and confidence from any angle, not least from behind with its beautifully sculpted, uncluttered rear section with a matt Silver rear skid plate and integrated dual tailpipes.



Experience modern Swedish luxury inside the XC40 Inscription. You are comfortably seated in Leather accented seats and can enjoy the sight of handcrafted concave decor in Driftwood. At night, our interior illumination further enhances the exclusive ambience.

The metal front tread plates give a sophisticated welcome every time you enter your XC40 Inscription.

Our concave Driftwood decor in ash veneer resembles the look and feel of wood shaped by the natural force of water, wind and waves. Integrated LED light guides further enhance the interior ambience when it's dark.



The Leather accented comfort seats are ergonomically designed to provide excellent comfort – wherever you go.



The XC40 Inscription exterior with its distinctive design touches expresses the essence of modern Swedish luxury. The wide exterior palette including four unique XC40 Inscription body colours allows you to create the XC40 Inscription that truly reflects your style and personality. Available in different design expressions, the large alloy wheels connect visually with the exterior design cues to enhance your city SUV's powerful stance and stylish looks.



20" 5-spoke
Black Diamond Cut
(optional)



19" 5-double spoke
Black Diamond Cut
(standard)



707 Crystal White metallic

SELECTED INSCRIPTION BODY COLOURS

To further enhance the stylish presence of your XC40 Inscription, our designers have selected four dedicated metallic body colours with a uniquely rich and contemporary touch: 719 Luminous Sand metallic, 722 Maple Brown metallic, 723 Denim Blue metallic and 724 Pine Grey metallic.



711 Bright Silver metallic



717 Onyx Black metallic



719 Luminous Sand metallic



722 Maple Brown metallic



723 Denim Blue metallic



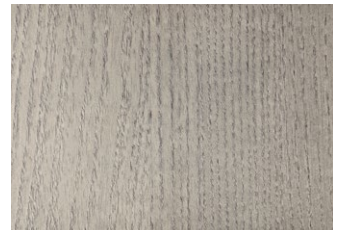
724 Pine Grey metallic



Leather accented Charcoal,
Charcoal headlining, RD00
(standard)



Leather accented Oxide Red,
Charcoal headlining, RD90
(optional)



Driftwood decor

Everything with the XC40 Inscription exudes conscientious design and meticulous craftsmanship. It's a city SUV to be proud of, a feeling that manifests on the inside by considerate features such as comfort seats upholstered in fine accented Leather and handcrafted Driftwood decor and the unique crystal gear shifter. Several interior combinations make it easy to tailor your very own XC40 Inscription interior experience.

Leather accented Amber, Charcoal headlining, RD20 (optional)



Leather accented Blond, Charcoal headlining, UD70 (optional)

Available in distinctive upholstery colours such as Oxide Red (optional), the Leather accented comfort front seats allow several adjustment possibilities including 4-way lumbar support for perfect body support.





XC40 MOMENTUM. CONTEMPORARY URBAN STYLE

The XC40 Momentum is a proud expression of urban style, where smart features and contemporary design interact to create a confident and vivid look. Designed and built for a better life in the city, the XC40 Momentum is well equipped with everything you need for successful living. The exterior is available in a range of solid and metallic full-body colours, each with a distinctively contemporary look. And to really stand out of the

crowd, most of the exterior body colours are available with a contrasting white roof, white door mirror caps and wheels with white spokes.

On the inside, you can relax in the ergonomically designed seats with optional leather accented upholstery. Many different interior colour combinations make it easy to tailor your own, personal XC40 experience.

Optional contrasting white roof with white door mirror caps and 19" Black White alloy wheels shown.

CONFIDENTLY URBAN

Everything with the XC40 Momentum is self-assured and confident. It's genuinely urban with a Scandinavian twist. The optional white roof and many interior combinations allow you to tailor a Volvo city SUV that reflects your style and preferences. The optional Leather accented upholstery, the concave Urban Grid aluminium decor and the sophisticated interior lighting add a touch of luxury to the interior ambience.



The front of the XC40 Momentum is distinctively defined by the grille in dark grey and its frame in bright chrome. (Optional 360° camera shown)

The optional contrasting white roof enhances the contemporary look of the XC40 Momentum and is available with most body colours.



Equally at home in all city environments, the XC40 Momentum features a distinct front grille with bright chrome frame, signature design LED headlights, bright integrated roof rails and optional contrasting white roof, white door mirror caps and optional 19-inch Black White alloy wheels.



Optional contrasting white roof and 19" Black White alloy wheels shown.

The glossy silver skid plate with hidden tailpipes gives the XC40 Momentum a robust yet stylish impression from behind.



The XC40 Momentum interior with Textile/Vinyl seats, concave Urban Grid aluminium decor, Leather accented steering wheel and textile mats reflects the essence of contemporary Scandinavian design.

The concave Urban Grid aluminium decor enhances the modern interior ambience of the XC40 Momentum.



The optional engraved Origin decor in the dashboard and front doors adds a contemporary vibe to the XC40's interior while giving you an overview of central Gothenburg – the hometown of your Swedish city SUV.

The wide range of exterior colours and wheels allows you to create a city SUV that's really you. The large, sporty 18-inch 5-spoke alloy wheels in Silver finish come standard. And to further enhance the appearance of your XC40 Momentum, you have the option of 19- or 20-inch wheels in distinctive Black Diamond Cut design or with white spokes that perfectly complement the optional white roof.



19" 5-spoke
Black White, 923
(only available with Ice White 614 or
contrasting white roof and door mirror caps)



20" 5-spoke
Black Diamond Cut, 917
(optional)



19" 5-spoke
Black Diamond Cut, 922
(optional)



18" 5-spoke
Silver, 921
(standard)



614 Ice White
(not available with contrasting white roof)
(standard)



711 Bright Silver metallic
(not available with contrasting white roof)



621 Amazon Blue
(standard)



714 Osmium Grey metallic



717 Onyx Black metallic



019 Black Stone
(standard)



725 Fusion Red metallic

CONTRASTING WHITE ROOF
For a unique, outstanding look most of the exterior colours for the XC40 Momentum are available with a contrasting white roof and white door mirror caps.



621 Amazon Blue
(no cost option)



714 Osmium Grey metallic



717 Onyx Black metallic



019 Black Stone
(no cost option)



725 Fusion Red metallic

The XC40 Momentum enhances the contemporary look and feel, with seats in Textile/Vinyl upholstery. For an even more luxurious ambience, you can have our exclusive Leather accented upholstery in several different interior colour combinations, with Blond or optional Charcoal headlining, to suit your personal preferences. The interior ambience, day and night, is further enhanced by the concave engraved optional Origin decor or rectangular Urban Grid pattern decor.

Textile/Vinyl Blond, Blond headlining,
U470 (standard)



Textile/Vinyl Charcoal, Blond headlining,
R300 (standard)



Leather accented Charcoal, Blond headlining,
RD00 (optional)



Leather accented Charcoal, Charcoal headlining, RD00 (optional)



Leather accented Oxide Red, Charcoal headlining, RD90 (optional)



Leather accented Amber, Charcoal headlining, RD20 (optional)



Leather accented Blond, Blond headlining, UD70 (optional)



Leather accented Blond, Charcoal headlining, UD70 (optional)



Origin decor (optional)



Urban Grid aluminium decor (standard)







ACCESSORIES. YOUR XC40 – THE WAY YOU WANT IT

We created the new XC40 to make your life easier and better. By adding genuine Volvo accessories designed around you and your car, you can create an XC40 that perfectly suits the way you live.

By adding an exterior styling kit to your XC40, you'll add a rugged, sporty touch to your city SUV. The stainless steel design elements enhance the car's high stance and harmonise perfectly with the distinctive exterior. Our large 21-inch 5-triple open spoke accessory alloy wheels also lend your XC40 an even more powerful look.

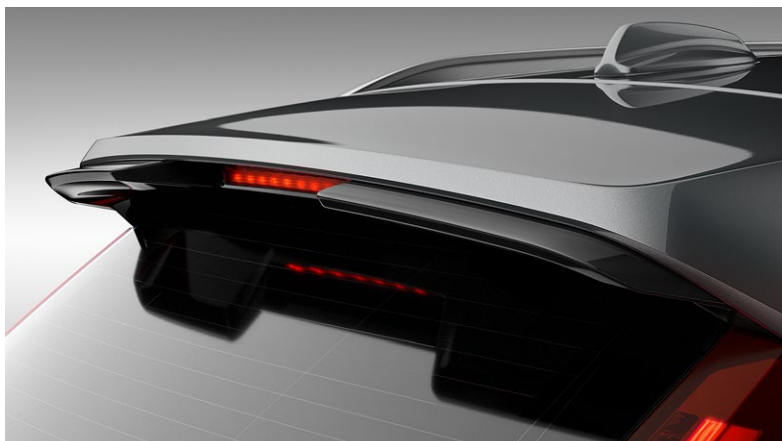
FIND MORE ACCESSORIES AT [ACCESSORIES.VOLVOCARS.COM/AU](https://accessories.volvocars.com/au)

The Volvo styling accessories are created by our design team to perfectly complement the lines of the XC40 and enhance its bold, contemporary character. This is your opportunity to express yourself and come up with a look that is unique for you.

21" 5-TRIPLE OPEN SPOKE BLACK DIAMOND CUT ALLOY WHEELS

For the strongest expression of the tough, sporty character of the XC40 choose our large 21-inch 5-triple open spoke alloy wheel with distinctive Black Diamond Cut design. These impressive, beautifully crafted wheels perfectly complement the uncluttered lines of your city SUV and give it a truly powerful look.





ROOF SPOILER

This stylish roof spoiler further enhances the sporty character and aerodynamics of your Volvo SUV and is colour-coordinated with the roof and fits perfectly with the exterior styling kit.



EXTERIOR STYLING KIT

Give your XC40 an even more distinctive look with this rugged yet sporty exterior styling kit. The front skid plate, rear skid plate and the lower door trim mouldings in brushed stainless steel enhance the powerful stance of your city SUV, while the integrated dual tailpipes add a stylish finish.



BRING IT ON

The XC40 is there to help you pursue your passions, and our interior and exterior load carrying accessories allow you to take what you love with you. Designed to look good and work flawlessly, they make life less complicated and ensure that you can fully utilise your Volvo to

it's full capacity. And because these accessories are designed by Volvo Cars, you can be assured that they are built to last, effortless to use and fit your XC40 perfectly.

STEEL GRILLE

Our strong steel grille provides a sturdy barrier between the passenger and load compartments, helping to prevent unsecured loads from entering the passenger cabin when braking sharply. It's easily installed and removed, and folds conveniently against the roof when not needed.

LOAD COMPARTMENT MATS

Our load compartment mats help you keep the interior of your XC40 as good as new, whatever you're doing. There's a tough plastic mat with raised edges that's rugged and easy to clean, and a reversible mat that has high-quality textile on one side and durable plastic on the other, to suit differing needs.



LOAD CARRIER

Easy to fit, our load carriers instantly allow you to fit our equipment holders and roof boxes. From a bike rack to a canoe holder.

**DETACHABLE TOWBAR**

This specially designed towbar is easy to mount and remove.

**ALL-WEATHER MATS**

Soft and flexible rubber components, these durable mats protect the carpeting of your XC40 from muddy boots and shoes. Shaped to fit perfectly, they won't slip or shift on the move. Raised edges stop water and dirt leaking into the car's carpet.

**MUD FLAPS**

Keep your car looking good with specially designed mudflaps that fit the body of the XC40 perfectly, deflecting grime and dirt from the car's bodywork.

WELCOME TO VOLVO CAR LIFESTYLE COLLECTION.

Our Lifestyle Collection includes a wide range of lifestyle accessories – from Swedish crystal and crafted leather bags to clothing, watches and more selected items. To view the complete collection, please visit collection.volvocars.com





ON SWEDISH TIME

Distinctive yet subtle, the first watch from Volvo Cars' design department – now available as part of the Volvo Car Lifestyle Collection – is an example of refined Scandinavian design.

TAKE YOUR MUSIC WITH YOU

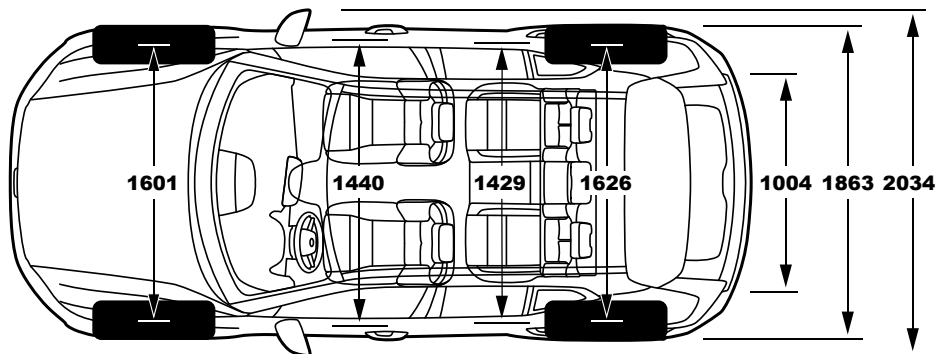
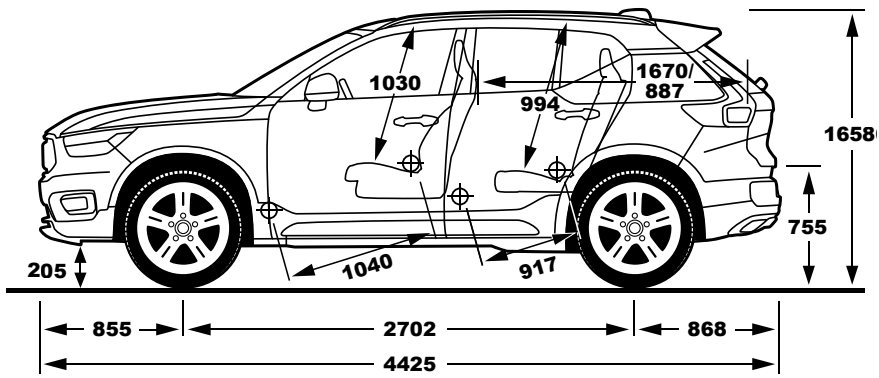
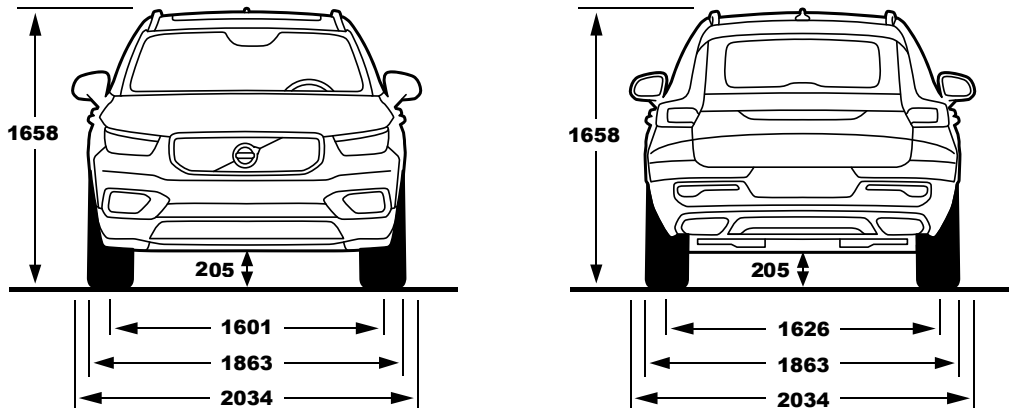
These Harman Kardon® Soho Wireless headphones combine sleek styling with exceptional sound quality. With Bluetooth® connectivity and a clever fold-flat design, they're perfect for enjoying your favourite music on the go.



TRAVEL IN STYLE

Designed by Volvo Cars and made by Swedish leather goods brand Sandqvist, our weekend bag and the matching leather card holder and leather passport sleeve allow stylish travelling. Available in black and cognac leather.





	T5 AWD	T4 AWD	T4 FWD
Engine type:	2.0 I4 petrol turbocharged	2.0 I4 petrol turbocharged	2.0 I4 petrol turbocharged
Transmission:	Eight-speed Geartronic™	Eight-speed Geartronic™	Eight-speed Geartronic™
Max. Power output, kW at rpm:	185 – 5500	140 – 4700	140–4700
Max. torque, Nm at rpm:	350/1800 – 4800	300/1400–4000	300/1400–4000
Acceleration, 0–100 km/h in sec, auto:	6.4	8.5	8.4
Top speed, km/h, auto:	230	210	210
Fuel tank, litres:	54	54	54
Luggage volume, litres (V211-2):	460	460	460
Environmental classification:	Euro 6d-TEMP	Euro 6d-TEMP	Euro 6d-TEMP
Fuel consumption, litres/100 km, combined cycle, auto: *	7.7	7.4	7.2
CO ₂ g/km, auto: *	176	169	165

All technical data may be subject to change. Please talk to your Volvo dealer for the latest information.

*Figures according to ADR 81/02 derived from laboratory testing. Factors including but not limited to driving style, road and traffic conditions, environmental influences, vehicle condition and accessories fitted, will in practice in the real world lead to figures which generally differ from those advertised. Advertised figures are meant for comparison amongst vehicles only.

Disclaimers and notice: Volvo Car Australia uses its best endeavours to ensure material is correct when published. However, since the time of printing some of the information may have been updated. Also, some of the equipment shown or described in this brochure may have been changed and/or is available at extra cost. You should check with your authorised Volvo Dealer when ordering to ensure the vehicle has your chosen specification, equipment and colour. Also check that the vehicle is available and whether it can be delivered within a time frame which is suitable to you. The photographs in this brochure are photographs of overseas models and accordingly there will be variations for local vehicles. Volvo reserves the right to make changes at any time without notice to prices, colours, materials, equipment and models. To the extent permitted by law, Volvo Car Australia will not be liable for any damage, loss or expense incurred as a result of reliance on

V O L V O