



THE NEW
VOLVO XC40
MY2019





INNOVATIVE. BY DESIGN.

Introducing the new Volvo XC40, the compact SUV born from Swedish innovation. Built for city life and designed around you.

Contents

Exterior Design.....	4	Powertrains.....	40	Care by Volvo.....	70
Interior Design.....	10	Trim Levels.....	42	Accessories.....	74
Storage & Versatility.....	14	Momentum.....	44	Features & Packages.....	78
Sensus.....	18	R-Design.....	52	Overseas Delivery.....	82
IntelliSafe.....	28	Inscription.....	60	The Volvo Experience.....	84
Dynamic Handling.....	36	Easier Ownership.....	68	Facts & Figures.....	86

YOU'RE IN CONTROL

Experience the feeling of confidence and control on every journey in the XC40, with a high seating position and agile handling that put you in command.



T5 AWD | R-Design
707 Crystal White Metallic

T5 AWD | R-Design
707 Crystal White Metallic | 20" 5-Double Spoke
Matte Black Diamond Cut Alloy Wheels, 920



AN SUV. WITH A TWIST.

The **XC40** is an authentic SUV for the city. High ground clearance, large wheels, and true SUV proportions give it a powerful stance. From the bold front grille to the beautifully detailed taillights, it's every inch a Volvo. Uniquely Scandinavian, it's an SUV built for city life.

T5 AWD | R-Design
707 Crystal White Metallic | 20" 5-Double Spoke
Matte Black Diamond Cut Alloy Wheels, 920





STAND TALL

High ground clearance gives the XC40 a powerful stance and excellent visibility. Large wheels and tires cope effortlessly with any road. This is the SUV that allows you to rise above it all.

T5 AWD | R-Design
707 Crystal White Metallic | 20" 5-Double Spoke
Matte Black Diamond Cut Alloy Wheels, 920



STRENGTH OF CHARACTER

The XC40 expresses toughness, and is unmistakably a Volvo, through features such as its proud grille, Thor's Hammer light signatures, and sculpted front bumper with skid plate.

ALWAYS READY

Large alloy wheels and a wide body give the XC40 a strong presence. This is an SUV that's ready for anything.



MAKE A BOLD IMPRESSION

Make a statement with a choice of contemporary colors. And, depending on trim level, the roof and door mirror housings can be specified in a contrasting color for an even bolder look.

LIGHTING WITH DISTINCTION

See and be seen, day or night, with standard LED headlights that feature the XC40's own take on Volvo's unique Thor's Hammer light signature. They automatically adjust the beam height, and switch between dipped and full beam, to provide the best view and avoid dazzling other road users. The optional high-level LED headlights include active bending lights that turn with the steering (by up to 30°) to provide a better view around corners.



SPECIALLY DESIGNED ALLOY WHEELS

A selection of alloy wheels help you to create your perfect XC40. Each one has a bold, dynamic design, as well as the attention to detail and high-quality finish you expect from a Volvo.



AN INTERIOR TO INSPIRE

Bold, progressive design is the hallmark of the Volvo XC40, and the cabin embodies forward-thinking Scandinavian style. An uncluttered layout lets you focus on the beautiful details, while the high seating position means you always feel in control. Carefully crafted and selected materials indulge the senses, and intuitive technology puts you in command. The cabin of the XC40 is a place that will inspire you on every journey.

T5 AWD | R-Design
Perforated Fine Nappa Leather/Nubuck, Charcoal, RB00 |
Lava Interior Carpeting (Optional) | Cutting Edge Aluminum Decor Inlays, 480

BEAUTY IN DETAIL

It's the details that set Volvo Cars interiors apart. The thought, effort, and craftsmanship that go into the smallest elements in the cabin of the XC40 help to create a unique and special feeling each time you climb inside.

Natural light from the panoramic roof, our characteristic frameless rear-view mirror, and LED lighting on the distinctive concave decor panels on the dashboard are just a few of the visual highlights in a cabin designed to look great – and to make you feel good.

T5 AWD | R-Design
 Perforated Fine Nappa Leather/Nubuck, Charcoal, RB00 |
 Lava Interior Carpeting (Optional) | Cutting Edge Aluminum Decor Inlays, 480



LAVA CARPETING

One of the highlights of the R-Design variant is the availability of Lava carpeting and door inserts. It has a rich, bold color that perfectly expresses the youthful character of the XC40.

LED LIGHTS

The XC40 is available with Interior High Level Illumination that highlights the beautifully sculpted dashboard and stylish decor panels at night.

SUSTAINABLE BEAUTY

Made from 100% recycled material, the textile interior mats of the XC40 combine modern style with a sustainable, environmentally responsible approach.

DOOR HANDLES

The bold, finely crafted door handles in the XC40 echo those in our larger SUVs, while their metallic finish feels great to the touch. The XC40 is a car that rewards all your senses.



T5 AWD | Momentum
 621 Amazon Blue with Optional White Contrast Roof



PANORAMIC ROOF

The interior of the XC40 is shaped by a uniquely Swedish appreciation of light. A panoramic roof floods the interior with natural light by day. (Optional)



AIR VENTS

The air vents in the XC40 are an example of our designers' ingenuity, with an innovative design that combines a beautiful minimalist appearance with effortless functionality.

REALLY CLEVER STORAGE

The inventive storage solutions in the XC40 are the result of us listening to our customers and understanding what they want from their cars. The front door pockets are each large enough for a laptop, handbag, or even three large bottles. This feature is made possible

by Air Woofer Technology™, a Volvo Cars innovation that uses an audio speaker mounted behind the dashboard, rather than in the doors, to free up space where you need it most. It's just one of the many ways that the XC40 helps to make every day easier.



WIRELESS PHONE CHARGING

There's a space beneath the center touchscreen where a mobile phone can be stored and wirelessly charged, helping to reduce clutter and making it easy to reach when you need it. (Optional)

T5 AWD | R-Design
Perforated Fine Nappa Leather/Nubuck, Charcoal, RB00 | Lava Interior Carpeting (Optional) | Cutting Edge Aluminum Decor Inlays, 480

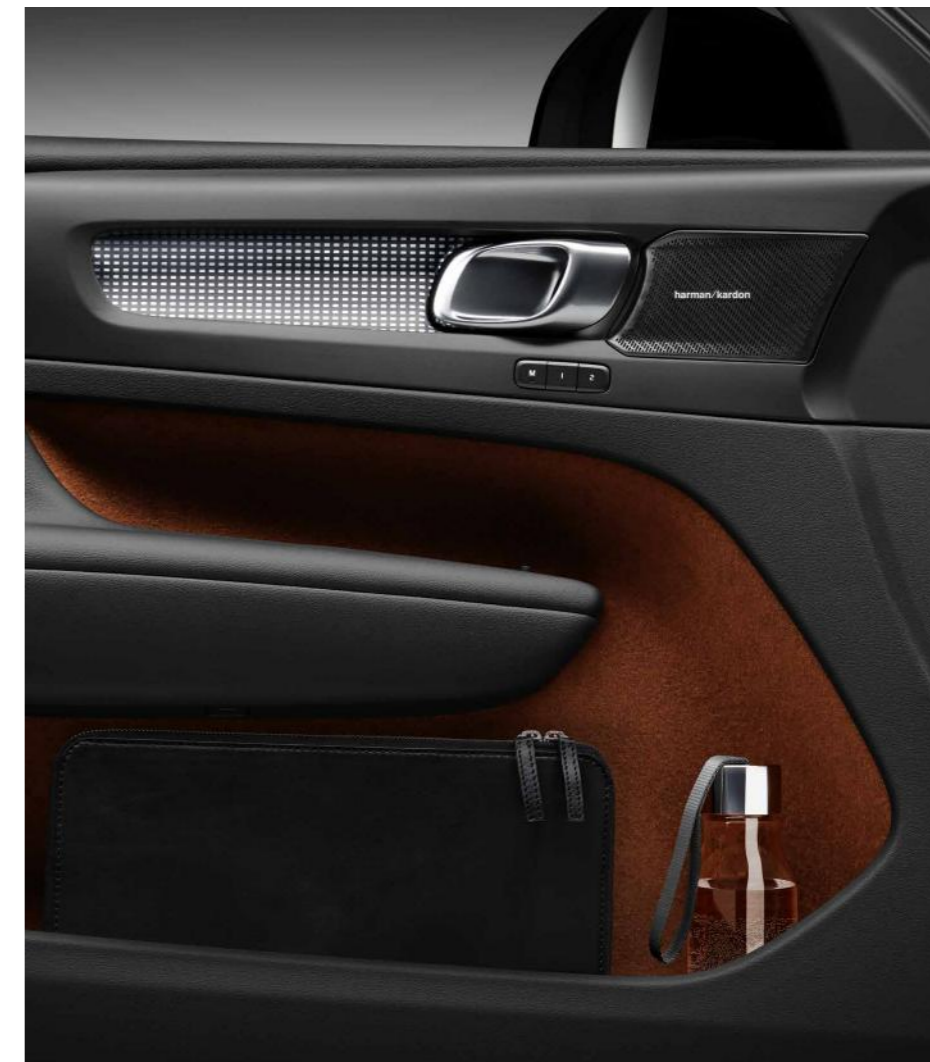
LARGE DOOR BINS

Doors free of speakers mean that the pocket is large enough to fit a laptop or three large bottles.



CARD HOLDERS

Card holders integrated neatly into the dashboard allow you to keep a credit card or parking voucher easily within reach. For increased security, there is an additional card holder hidden discreetly in the front center console.



SMART STORAGE

The storage bin under the front center armrest is large enough to hold a small handbag or even a full-size tissue box, and has a removable waste basket in front of it.



BAG HOOK

Keep a small bag or takeout food secure with a hook that folds neatly out of the glovebox and prevents items from moving around or spilling while you're driving.



T5 AWD | R-Design
707 Crystal White Metallic | 20" 5-Double Spoke
Matte Black Diamond Cut Alloy Wheels, 920



Go hands-free
When your hands are full, the power-operated tailgate on the XC40 makes life easy. And when combined with the keyless entry option it means you only need to move your foot under the rear bumper to open or close it automatically.



The right fit
The XC40 helps you fit your life into your car. The load compartment is one of the largest in its class, with a regular shape that makes it easy to load and helps make the most of the space. The folding load floor helps you adapt it to whatever you're carrying.

A VERSATILE SPACE

Everything starts with people at Volvo Cars – it's why we look, listen, and design cars around their needs. And it's why the XC40 is full of practical, versatile features that help you carry what you want as easily as possible. Load and unload your car with ease thanks to a large cargo area that can be accessed by a hands-free power-operated tailgate. If you need to carry bulky or unusually tall items then you can take advantage of the foldable, removable load floor. And if you need even more space, fold the rear seat backrests flat at the touch of a button.

Valuable items can be stored securely out of sight under the load floor. And to make the load area as versatile as possible, the folding load floor can be placed in multiple positions. There are also four load-securing tie-downs to keep delicate items safe and to protect the car's occupants, plus three bag hooks that ensure your shopping doesn't move around or spill in transit. Whatever type of load you need to carry – large or small – your XC40 helps make it effortless.

T5 AWD | Momentum
725 Fusion Red Metallic | 19" 5-Spoke Black
Diamond Cut Alloy Wheels, 922

IN SYNC WITH YOU



T5 AWD | R-Design
Perforated Fine Nappa Leather/Nubuck, Charcoal, RB00 | Lava Interior
Carpeting (Optional) | Cutting Edge Aluminum Decor Inlays, 480

Your guide

Sensus Navigation is your guide, helping you to find your destination and keeping you informed. With clear mapping, free lifetime map upgrades, and the availability of apps that help you find what you're looking for and share your location, you can enjoy the journey ahead. (Optional on Momentum)

Every interaction in the XC40 feels natural and intuitive. From the easy-to-use 9" Sensus Touchscreen to the high-resolution 12.3" Digital Driver Display and voice control that understands normal speech, the standard technology is there to make things simple.

It's as familiar and intuitive as using your phone. You can control most functions via the 9" Sensus Touchscreen – its portrait format and bold, clear graphics make it easy to read, and it's so responsive that you can use it wearing gloves. Standard Apple CarPlay™ and Android Auto™ help keep you connected when on the move.

The 12.3" Digital Driver Display helps you stay focused on the road ahead by putting all the information you need directly in front of you. And it automatically adapts to the surrounding light conditions, becoming brighter or dimmer depending on the light coming from outside the car.



T5 AWD | R-Design
707 Crystal White Metallic | 20" 5-Double Spoke
Matte Black Diamond Cut Alloy Wheels, 920



All about the bass
The XC40 features Air Woofer Technology™ – a new type of audio speaker that brings you precise sound and great bass reproduction. And because it's mounted behind the dashboard, rather than in the doors, it frees up the cabin for valuable extra storage space.



Streaming. On demand.
Access to streaming services is just the touch or a voice command away in the XC40. Standard Apple CarPlay™ and Android Auto™ means that you can easily listen to music, news, and audiobooks via your favorite apps.



Harman Kardon® Premium Sound
Enjoy your favorite music to the fullest with the available Harman Kardon® Premium Sound system in the XC40. This top-of-the-range audio system draws on the expertise of one of the world's leading audio brands to provide powerful, detailed sound.

DESIGNED FOR SOUND

We understand that music can make the difference, and the XC40 has been engineered to let you enjoy your favorite music to the fullest. Every XC40 features Air Woofer Technology™ that delivers precise, powerful bass.

For an even more immersive experience, choose the optional Harman Kardon® Premium Sound audio system. A collaboration with one of the world's leading audio brands, it features 13 speakers and 600 watts for a beautifully balanced, powerful sound.

ALWAYS CONNECTED

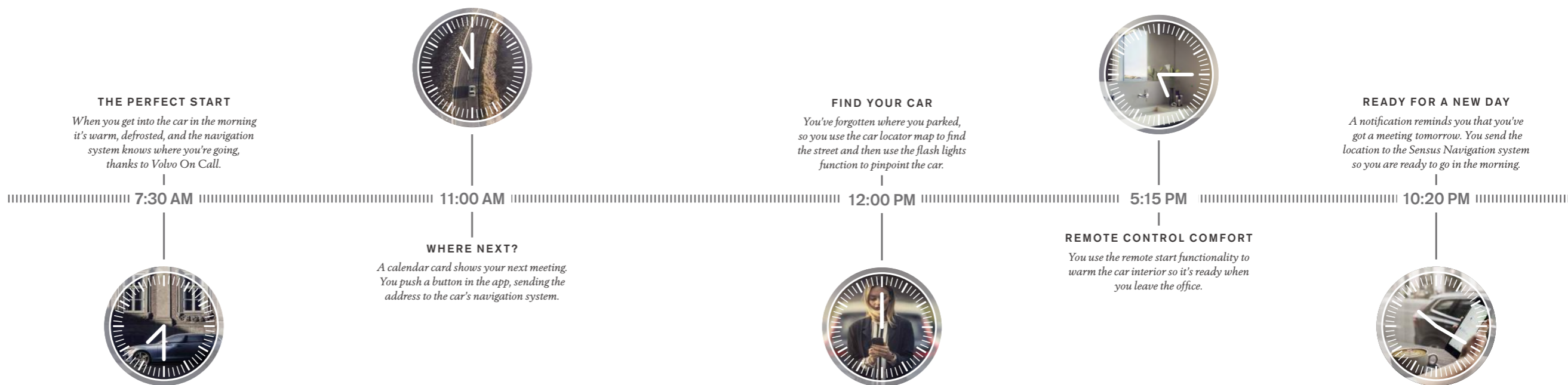
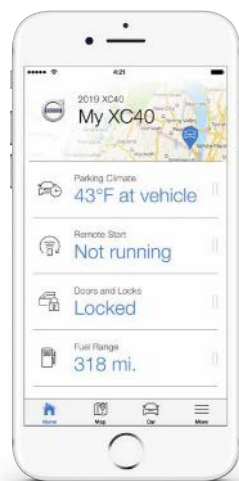
The **Volvo On Call app** connects your car with the rest of your world, helping make life less complicated. It's always there when you need it, so your car becomes more than just a means of travel – it's your personal assistant.

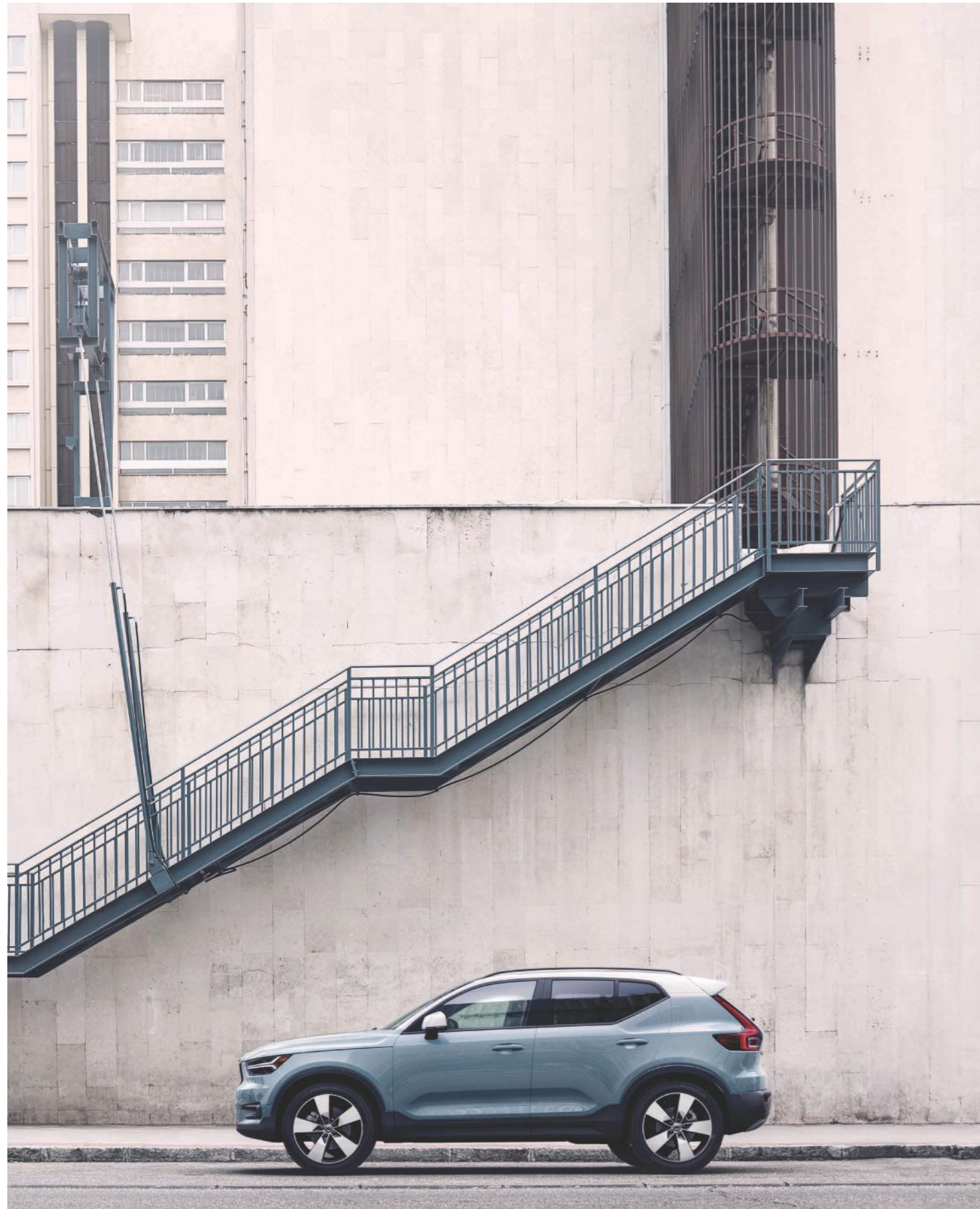
You can use it to make your car ready for the drive to the office, or the drive home, by remotely cooling or heating the cabin. It can remind you that you have left your car unlocked and allow you to remotely lock or unlock your car from anywhere in the world. You can sync your Volvo On Call app with your calendar, so if you have appointments it will tell your car where they are and how to get there. And it keeps you safe, automatically contacting emergency services if you're involved in an accident and telling them where you are.



YOUR DAY MADE EASIER WITH VOLVO ON CALL

From saving you time in the morning to helping you relax on the way home, Volvo On Call can be an indispensable part of your daily routine.





CONNECTED. CONVENIENT.

T5 AWD | R-Design
707 Crystal White Metallic



By combining the connectivity of your XC40 with your mobile device, the XC40 can become more than just a means of transport. Thanks to the Volvo On Call app and Sensus Connect, you have access to a range of connected services that make your car a life hub for you, your family, and your friends.

The remote engine start lets you begin every drive in comfort. Heat and defrost your car on cold mornings and cool your car on hot days, before you even get in. You can also check if a window or the tailgate is open, and see if your car is locked, then lock it or unlock it, directly from your smartphone.

Your entertainment options are not limited to what's available on your smartphone. WiFi and tethered internet enable you to utilize a fast and stable connection through the antenna. Sensus goes even further, with built-in apps that keep a world of music at your

fingertips, keeping your devices connected to the internet, while audio systems offer considerable flexibility when it comes to your sound.

Our new car sharing offer is another innovative service. It allows you to share your car – and the services that go with it – by granting access to friends, family members, or colleagues through their mobile device and the Volvo On Call app. Once they have opened the car, the special key in the cabin is activated and they can use this to lock, unlock, and drive the vehicle. Not having to meet up and hand over a physical key opens up a world of possibilities – it means that a friend or colleague can access or borrow your car, wherever you are and wherever your car is. It's connected thinking for a connected world, by Volvo Cars.

EXPERIENCE CONTROL

The XC40 has a high seating position that puts you in command and gives you a great view of the road ahead. It's a car that elevates you above the everyday, with thoughtful, uncluttered design that means you always feel in control behind the wheel. Standard intuitive

technology is there to make your life less complicated – the easy-to-use 9" Sensus Touchscreen is so responsive that you can use it wearing gloves, while the high-resolution 12.3" Digital Driver Display looks great and is easy to use in any light.



The human touch
At the heart of the cabin is our 9" Sensus Touchscreen – a feature familiar to the new generation of Volvo cars that blends beautiful design with ease of use. The portrait format makes reading information – and following navigation – especially easy.



TECH THAT HELPS

Every journey is easy in the XC40, thanks to a range of helpful Volvo Cars innovations. Pilot Assist makes driving in heavy traffic less tiring. It helps you keep a set distance to the vehicle in front and uses small steering inputs to help you keep the car in the center of the lane, at speeds of up to 80 mph. Adaptive Cruise Control lightens the load by keeping the XC40 at a set distance from the car in front; you set the gap and the XC40 will adapt its speed to maintain that distance.

T5 AWD | R-Design
707 Crystal White Metallic | 20" 5-Double Spoke
Matte Black Diamond Cut Alloy Wheels, 920

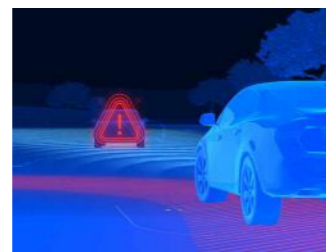


CITY SAFETY. PROTECTING WHAT'S IMPORTANT TO YOU.

Volvo Cars is synonymous with safety, and the advanced features in the XC40 are the result of decades of experience and innovation – they are there to help you avoid a collision and protect you and your passengers if one should occur.

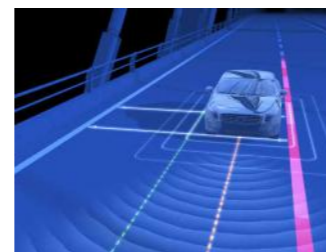
At the heart of everything is City Safety. This innovation identifies other vehicles, pedestrians, cyclists, and large animals ahead, even at night, and warns you if a collision is imminent. If you don't react in time, it will apply the brakes automatically to help avoid or mitigate a collision.

City Safety is standard for every XC40. It will play a key role in helping us to realize our vision that, by 2020, no one will be killed or seriously injured in a new Volvo car.



Intersection Braking

City Safety includes an intersection braking function that can help to make an accident at a road junction less likely or less harmful. This feature – a world-first when it was introduced in the Volvo XC90 – automatically brakes the car if the driver turns into the path of an oncoming vehicle.



Lane Keeping Aid

Fitted as standard, this feature monitors the road ahead and gently steers the car back into its lane if it detects that you're about to cross a lane marking unintentionally. If the car's steering adjustment isn't enough, or if you cross into the other lane, you'll be alerted by a warning sound, or gentle vibrations through the steering wheel.



Run-Off Road Mitigation

Our Run-Off Road Mitigation technology helps to keep you safe by keeping you on the road. If this innovation detects you are about to leave the road unintentionally at any speed between 40-86 mph, it uses steering input and, if necessary, brake support to guide you back on track.



Rear Collision Warning

Included as part of the Vision package, our rear collision warning system works to protect you if it detects a risk of a collision from behind. Just before a collision, the system will automatically tension the front seat belts and, if your car is at a standstill, will also activate full auto-braking.



Blind Spot Information System (BLIS)

BLIS uses radar sensors at the rear of the vehicle to make your journeys safer and less stressful. As a vehicle enters your blind spot, this function can alert you via a warning light built into the front door mirrors.



Cross Traffic Alert with Autobrake

Cross Traffic Alert with Autobrake is included on all vehicles equipped with BLIS, and alerts you of crossing traffic from the sides when reversing out of a parking space. If the driver should continue reversing in spite of the warnings and a collision is about to happen, the car automatically brakes.

PARKING MADE EASIER

Parking is easy in the XC40 thanks to its compact dimensions, elevated seating position, and responsive steering – and technology is there to help. The 360° Surround View Camera available for the XC40 uses the images from discreetly mounted cameras to create a view of the car as seen from above. It allows you to clearly see where the car is in relation to other vehicles and objects, helping you to avoid them.

Park Assist Pilot is a self-parking function that can steer the XC40 into a parallel space just 1.2 times the car's length, or into a standard

parking spot. All you need to do is follow the car's instructions to operate the accelerator and brakes.

Park Assist Pilot also helps you find a space, by alerting you if one is big enough as you drive by it. Cross Traffic Alert (CTA) with Autobrake makes reversing out of spaces safer. Radar sensors in the rear bumper detect whether you are about to reverse into the path of an oncoming vehicle, cyclist, or pedestrian. If it detects something, it will warn you, then brake if necessary to avoid or mitigate a collision.



A Better View

The 360° Surround View Camera available for the XC40 gives you a detailed "bird's-eye" view of your car from above, so you can see where it is in relation to other vehicles and objects. It's especially useful in tight spaces and crowded parking lots, and helps you keep your car free from scrapes.

An App that Helps

The Volvo On Call app allows you to find your car in a busy parking lot by briefly activating the lights and horn remotely.

T5 AWD | R-Design

707 Crystal White Metallic | 20" 5-Double Spoke Matte Black Diamond Cut Alloy Wheels, 920

SAFER THAN EVER

Protecting you and your passengers has always been at the heart of every Volvo car, and the advanced safety features in the XC40 are the result of our decades of innovation.

As with all of our cars, the XC40 surrounds you with strength. The passenger compartment uses a high percentage of ultra high-strength boron steel to create a protective cage around you and your passengers. Specially designed front seat structures minimize the risk of spinal injury on impact. The front seats incorporate our Whiplash Injury Protection System to minimize the risk of neck injuries if the car is hit from behind. If your XC40 leaves the road, Run-Off Road Mitigation reduces your chance of serious injury. And front seat belts automatically tighten if the car senses that an impact is imminent, putting you in the safest possible position if a collision occurs. All this, and more, makes the XC40 a safe place to be.



AGILE. RESPONSIVE. IN CONTROL.

Wherever you take your **XC40**, you'll always feel in control. Enjoy agile, energetic responses from behind the wheel – whether you're in the city or out on the open road – thanks to sophisticated suspension that makes extensive use of lightweight aluminum. Selectable drive modes allow you to set your car's responses to suit your mood, adjusting settings for the engine, transmission, Electronic Stability Control, steering, and Start/Stop function. The optional Four-C chassis features electronically controlled suspension dampers for an even greater degree of versatility and control over how your XC40 drives. Models equipped with all-wheel drive give improved traction, for the most efficient acceleration from a standstill and an even more secure feel in slippery conditions or when towing. Hill Descent Control makes descending steep or slippery slopes as safe as possible.

Smart powertrains give you the responsiveness you want with low emissions and fuel consumption – there's no need to compromise. It's all thanks to our new Drive-E family of sophisticated turbocharged engines. These compact, lightweight powertrains balance smooth power with efficiency. And they keep weight at the front of the car to a minimum, which improves handling agility.

Power is transmitted to the road by a highly efficient, smooth-shifting 8-speed automatic transmission. On R-Design models, steering wheel-mounted paddles allow you to shift gears effortlessly. The XC40 allows you to take control, and inspires confidence, however long or short the journey.

T5 AWD | R-Design
707 Crystal White Metallic | 20" 5-Double Spoke
Matte Black Diamond Cut Alloy Wheels, 920



T5 AWD | R-Design
707 Crystal White Metallic | 20" 5-Double Spoke
Matte Black Diamond Cut Alloy Wheels, 920



YOUR JOURNEY BEGINS HERE

We created the new **XC40** with one single purpose: to provide you with a city SUV that perfectly fits you and your lifestyle. It's a car that meets your expectations of a fun, agile drive with exceptional comfort and distinctive Scandinavian design – built with care for people and the world we share. Designed to be intuitive to use and to make life easier, the XC40 is a pleasure to live with every day.

At the heart of your XC40 is an efficient, responsive powertrain. Whichever you choose, you will enjoy our latest Drive-E technology that gives you responsive power. Fuel consumption and CO₂

emissions are kept low, and our powertrains already comply with future exhaust emission legislation.

All engines are mated to our 8-speed Geartronic™ automatic transmission for a smooth and intuitive drive. On T5 AWD, our responsive all-wheel drive technology gives you an edge by increasing driving stability and traction – on all road surfaces and in all weathers. Make your choice, and enjoy wherever the journey takes you.

T5 AWD | R-Design
707 Crystal White Metallic | 20" 5-Double Spoke
Matte Black Diamond Cut Alloy Wheels, 920



T4 FWD

The turbocharged 187-hp/221 lb-ft T4 FWD powertrain allows you to enjoy more while using less. Drive-E engine technology, our 8-speed Geartronic™ automatic transmission, and front-wheel drive add to instant control and an efficient driving experience.

T5 AWD

The powerful 248-hp/258 lb-ft T5 AWD powertrain is as responsive on the highway as in the city. This superb all-rounder delivers generous power just where you need it, ensuring excellent driveability thanks to our smooth 8-speed Geartronic™ automatic transmission and all-wheel drive.



MOMENTUM

Strong, contemporary style with a confident look, available in contrasting color combinations.



R-DESIGN

Inspired by performance, with sporty design in every detail, inside and out.



INSCRIPTION

A highly sophisticated expression of modern Swedish luxury.

CREATE YOUR OWN SWEDISH CITY SUV

Our approach in everything we do is to always put people first. This includes allowing you the freedom to create a Volvo that reflects your individuality and fits perfectly into your life.

Inspired by the pulse of city life and fashion, the new XC40 is just as individual as you are. You have three different design expressions to choose from – each with its own style and character: the contemporary, vivid Momentum, the powerful, sporty R-Design, and the distinctive, luxurious Inscription.

Whatever you prefer, you can rest assured there's a Volvo XC40 for you. Read on, and choose the design of your new XC40.

T5 AWD | R-Design
707 Crystal White Metallic | 20" 5-Double Spoke
Matte Black Diamond Cut Alloy Wheels, 920

MOMENTUM. CONTEMPORARY CITY STYLE.

Momentum is a proud expression of city style, where smart features and contemporary design interact to create a confident and bold look. Designed and built for a better life, the XC40 Momentum is equipped with everything you need for successful living. Exterior details in bright chrome, paired with window surrounds in gloss black, enhance the expression of modernity. The exterior is available in a range of solid and metallic full-body colors, each with a distinctively contemporary look. And to really stand out from the crowd, most of the exterior body colors are available with a contrasting white roof, white door mirror caps, and wheels with white spokes.

On the inside, you can relax in the ergonomically designed seats with standard leather upholstery. Many different interior color combinations make it easy to tailor your own, personal XC40 experience.

XC40 MOMENTUM

Includes:

Exterior:

18" Alloy Wheels | Grille in Dark Grey with Chrome Frame | Clamshell Hood | Contrasting White Roof (Optional) | Bright Integrated Roof Rails | Dynamic Chassis | Color Adapted Door Mirror Covers | LED Headlights | Silver Skid Plate | Hidden Tailpipes

Interior:

Leather Upholstery | 8-Way Power Driver Seat with Driver Seat Memory | 4-Way Driver Seat Power Lumbar Support | Urban Grid Aluminum Decor Inlays | Leather Steering Wheel | Leather Gear Knob | Textile Mats | Power Tailgate | Tailgate Scuff Plate | Volvo On Call | Interior Mid-Level Illumination | 12.3" Digital Driver Display | 9" Sensus Touchscreen | 250 watt High Performance Audio System with 8 Speakers, including Air Woofer Technology™

T5 AWD | Momentum

621 Amazon Blue with Optional White Contrast Roof | 19" 5-Spoke Black White Alloy Wheels, 923 (Optional, Requires White Roof and Includes Mirror Caps)

FOR A COMPLETE EQUIPMENT LIST, PLEASE VISIT [VOLVOCARS.COM/US](https://www.volvocars.com/us)

DESIGNED FOR THE CITY

Everything about the XC40 Momentum is self-assured and confident. It's a genuine SUV with a Scandinavian twist. The optional white roof and many interior combinations allow you to tailor a Volvo SUV that reflects your personal style and preferences. The leather upholstery, the concave Urban Grid Aluminum Decor, and the sophisticated interior lighting add a touch of luxury to the interior ambiance.

T5 AWD | Momentum
621 Amazon Blue with Optional White Contrast Roof | 19" 5-Spoke Black White Alloy Wheels, 923 (Optional, Requires White Roof and Includes Mirror Caps)



The front of the XC40 Momentum is distinctively defined by the grille in dark grey and its frame in bright chrome.



The optional contrasting white roof enhances the contemporary look and is available with most body colors.



The signature design Thor's Hammer LED headlights, the bright integrated roof rails, and the optional contrasting white roof, white door mirror caps, and 19" White Spoke Alloy Wheels make the XC40 Momentum equally at home in all environments.



The silver skid plate with hidden tailpipes gives a robust yet stylish impression from behind.

T5 AWD | Momentum
Leather Blond, UD70, Charcoal Headlining (Optional) | Urban Grid Aluminum Decor Inlays, 437



The XC40 Momentum interior with leather seats, concave Urban Grid Aluminum Decor, leather steering wheel, and textile mats reflects the essence of beautiful Scandinavian design.



The concave Urban Grid Aluminum Decor enhances the modern interior ambiance of the XC40 Momentum.



The 12.3" Digital Driver Display and the 9" Sensus Touchscreen put you in total control of your drive.



The leather seats are ergonomically designed to provide excellent comfort wherever you go.

The wide range of exterior colors and wheels allows you to create a city SUV that's really you. The large 18" 5-Spoke Silver Alloy Wheels come standard. To further enhance the appearance of your XC40, you have the option of 19" or 20" wheels in distinctive Black Diamond Cut design, or with white spokes that perfectly complement the optional white roof. You can have your XC40 in many different full-body colors, where each color imbues your Volvo with a sense of contemporary Scandinavian design.



19" 5-Spoke
Black White Alloy Wheels, 923
(Optional, Requires White Roof
and Includes Mirror Caps)



20" 5-Spoke
Black Diamond Cut Alloy Wheels, 917
(Optional)



19" 5-Spoke
Black Diamond Cut Alloy Wheels, 922
(Optional)



18" 5-Spoke
Silver Alloy Wheels, 921
(Standard)



614 Ice White



711 Bright Silver Metallic



621 Amazon Blue



714 Osmium Grey Metallic



717 Onyx Black Metallic



019 Black Stone



725 Fusion Red Metallic

▼
CONTRASTING WHITE ROOF
For a unique look, most of the exterior colors
are available with a contrasting white roof.



621 Amazon Blue



714 Osmium Grey Metallic



717 Onyx Black Metallic



019 Black Stone



725 Fusion Red Metallic

For a contemporary look and feel, the XC40 Momentum features comfort seats with exclusive leather upholstery available in several different interior color combinations, to suit your personal preferences. The interior ambiance, day and night, is further enhanced by the concave Aluminum Decor in rectangular Urban Grid pattern.

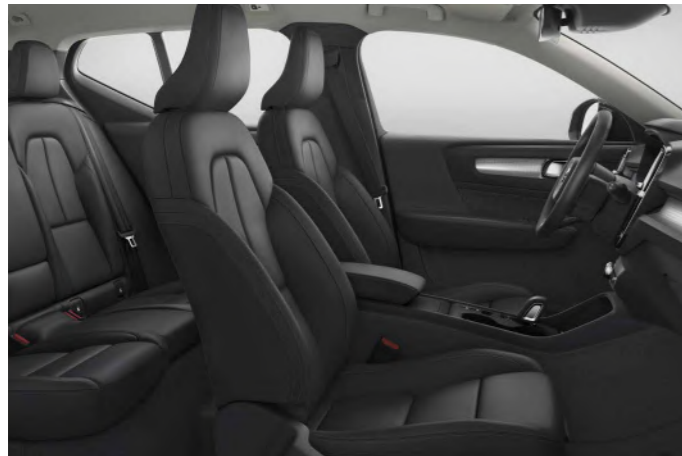
Leather Charcoal, RD00,
Charcoal Headlining (Optional)



Leather Amber, RD20,
Charcoal Headlining



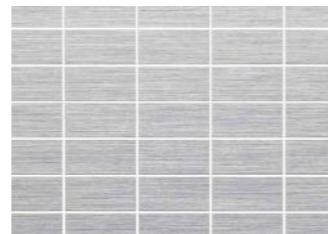
Leather Blond, UD70,
Blond Headlining



Leather Charcoal, RD00,
Blond Headlining



Leather Oxide Red, RD90,
Charcoal Headlining



Urban Grid Aluminum Decor Inlays, 437



Leather Blond, UD70,
Charcoal Headlining (Optional)

Available in distinctive upholstery colors such as Oxide Red, the leather comfort seats allow a wide range of adjustment possibilities, including 4-way power lumbar support.



R-DESIGN. THE SPORTY LOOK.

The R-Design captures the sporty soul of your XC40, with a black color theme including the roof and other distinctive exterior design details. The large alloy wheels enhance the car's road presence and add to the powerful look. It's an expression that catches the eye from every angle, and hints at the promise of an amazing drive.

Inside the driver-focused Charcoal interior, you're surrounded by bespoke materials and trim. Your body is comfortably supported by the R-Design seats in Perforated Fine Nappa Leather/Nubuck upholstery. Everything – from the R-Design Sport Steering Wheel with shift paddles to the Charcoal headliner – is there to inspire and put you in control. And unique for R-Design, the optional Lava interior carpeting creates a youthful, stylish ambiance that will energize your every drive.



XC40 R-DESIGN

Includes Momentum features plus:

Exterior:

19" Alloy Wheels | R-Design Grille with Gloss Black Frame | Gloss Black Roof with All Exterior Colors | Gloss Black Integrated Roof Rails | Gloss Black Door Mirror Covers | Gloss Black Window Trim | Gloss Black Skid Plates | Dual Integrated Tailpipes | LED Foglights | C-Pillar R-Design Molding | Sport Chassis

Interior:

R-Design Perforated Fine Nappa Leather/Nubuck Upholstery | 8-Way Power Front Seats with 4-Way Power Lumbar Support and Driver Seat Memory | Manual Cushion Extensions | Cutting Edge Aluminum Decor Inlays | Lava Interior Carpeting (Optional) | R-Design Sport Steering Wheel | Steering Wheel Shift Paddles | R-Design Leather Gear Knob | R-Design Pedals | R-Design Textile Mats | Charcoal Headlining | Interior High-Level Illumination | R-Design Metal Front Tread Plates | R-Design Leather Key Fob | Keyless Entry with Hands-free Tailgate Opening | Stainless-steel Cargo Scuff Plate | Navigation Pro | 2-Zone Automatic Climate Control | Auto Dimming Interior Rearview Mirror

FOR A COMPLETE EQUIPMENT LIST, PLEASE VISIT VOLVOCARS.COM/US

INSPIRED BY THE ART OF DRIVING

R-Design is our sportiest expression, characterized by dynamic contrasts and a confident presence. Unique exterior design details in black, such as the front grille, the roof, and the door mirror caps, together with large alloy wheels, make it possible to create a truly distinctive look. The sporty theme continues on the inside, with R-Design Perforated Fine Nappa Leather/Nubuck seats, concave Cutting Edge Aluminum Decor, and optional Lava carpeting. A sport chassis ensures you're in control with maintained ride comfort.

T5 AWD | R-Design
707 Crystal White Metallic | 20" 5-Double Spoke
Matte Black Diamond Cut Alloy Wheels, 920



The gloss black roof creates a strong character – depending on your choice of exterior color, it can make a dramatic impact on the look of your XC40. The embossed R-Design logo in the rearmost door pillar makes a subtle yet distinct statement about the car you drive.



Enjoy the dynamic feeling inside your XC40 R-Design. The Charcoal interior with optional Lava carpeting and door inserts create energizing contrasts, while the exclusive R-Design seats, the Cutting Edge Aluminum Decor, and the R-Design Leather gear knob with white stitching enhance the car's sporty soul.



The optional 20" 5-Double Spoke Alloy Wheels in distinctive Matte Black Diamond Cut design add to the powerful stance and work in perfect harmony with the signature design Thor's Hammer LED headlights and gloss black design elements.



The R-Design grille features a gloss black frame and a high-gloss black insert with a horizontal mesh for a unique look, which complement the gloss black mirror caps.



From the rear, the integrated dual tailpipes and gloss black rear skid plate add to the impression of sporty elegance.



The concave Cutting Edge Aluminum Decor with integrated LED lighting creates a sporty, exclusive ambience inside your XC40 – day and night.

Upholstered in exclusive Perforated Fine Nappa Leather/Nubuck, the multi-adjustable R-Design seats provide generous body support wherever you go. Contrasting white stitching and piping adds to the sporty ambience, while the manual seat cushion extensions provide extra thigh support.



The driver-focused R-Design interior with R-Design sports steering wheel in Perforated Leather, R-Design leather gear knob, aluminum sport pedals, and shift paddles put you in the center of the action.



The exterior color you choose for your XC40 R-Design makes a big impact on the visual expression. Crystal White Metallic with the contrasting gloss black roof gives a cool, robotic look, while the Black Stone exterior color adds to a more mean, powerful style – especially with the large 20" Alloy Wheels in Matte Black Diamond Cut.



707 Crystal White Metallic

GLOSS BLACK ROOF
 On the XC40 R-Design, the roof is always in black. This makes a bold statement, while it perfectly matches the car's other black exterior design elements.



19" 5-Double Spoke
 Matte Black Diamond Cut, 911
 (Standard)



20" 5-Double Spoke
 Matte Black Diamond Cut, 920
 (Optional)



711 Bright Silver Metallic



720 Bursting Blue Metallic



714 Osmium Grey Metallic



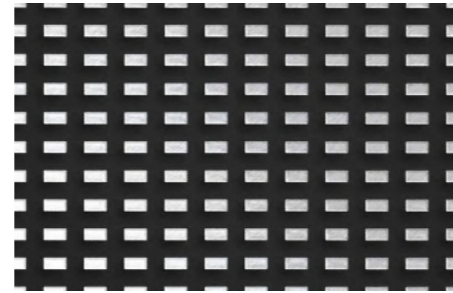
019 Black Stone



725 Fusion Red Metallic

The R-Design interior in Charcoal is the perfect environment for a dynamic driving experience. The sporty cockpit feel is further enhanced by the Charcoal headlining, while the optional Lava carpeting and door inserts add a powerful twist.

▼
Cutting Edge Aluminum Inlays, 480



▼
Perforated Fine Nappa Leather/Nubuck, Charcoal, RB00 | Lava Interior Carpeting, (Optional)



▼
Perforated Fine Nappa Leather/Nubuck, Charcoal, RB00 (Standard)

▼
The R-Design seats are upholstered in a stylish combination of Perforated Fine Nappa Leather and Nubuck with contrasting white seams and piping for a truly sporty look and feel.





INSCRIPTION. MODERN SWEDISH LUXURY.

We created the XC40 Inscription to give you a new take on Swedish luxury. It's about stylish detailing and a meticulously crafted interior with fine, authentic materials – all to give you the very best of contemporary Scandinavian design.

The exterior hints at the experience that awaits you inside the XC40 Inscription. Four unique metallic body colors, tastefully composed chrome details, skid plates in silver finish, and unique Black Diamond Cut alloy wheels make for a harmonious and distinctive look.

Inside the XC40 Inscription you can relish in exclusive leather seats, surrounded by thoughtful design and natural materials such as the exclusive handcrafted Driftwood Inlays. A large exterior color palette and many available interior color combinations make it easy to create the XC40 Inscription that suits your personal style.

XC40 INSCRIPTION

Includes Momentum features plus:

Exterior:

18" Black Diamond Cut Alloy Wheels | Inscription Grille in Chrome | Bright Integrated Roof Rails | Stainless Steel Scuff Plate | Bright Window Trim, Lower Part | LED Foglights | Matte Silver Skid Plates | Dual Integrated Tailpipes | C-pillar Inscription Molding | Panoramic Moonroof

Interior:

8-Way Power Front Seats with 4-Way Power Lumbar Support and Driver Seat Memory | Manual Cushion Extensions | Driftwood Inlays | Inscription Leather Key Fob | Keyless Entry with Hands-free Tailgate Opening | Stainless-steel Cargo Scuff Plate | Navigation Pro | Interior High-level Illumination | Metal Front Tread Plates | Orrefors® Crystal Gear Knob | 2-Zone Automatic Climate Control | Auto Dimming Interior Rearview Mirror

FOR A COMPLETE EQUIPMENT LIST, PLEASE VISIT VOLVOCARS.COM/US

CONTEMPORARY LUXURY

The XC40 Inscription offers you luxury with a contemporary Swedish twist. Perfectly blending into city life, its stylish exterior with chrome detailing and large Black Diamond Cut alloy wheels add to a confident appearance wherever you go. And for the experience inside, leather seats and genuine Driftwood Inlays provide a relaxed, pampered feeling on every drive.

T5 AWD | INSCRIPTION
723 Denim Blue Metallic | 19" 5-Double Spoke
Black Diamond Cut Alloy Wheels, 924



The chrome lower window frames and the integrated roof rails in bright aluminum add a jewel touch to the exterior of your XC40 Inscription. In the rear pillar, the embossed Inscription logotype hints at a new kind of luxury.



Our large 19" 5-Spoke Black Diamond Cut alloy wheels enhance the distinct road presence of your XC40 Inscription.



Experience modern Swedish luxury while sitting inside the XC40 Inscription. Sitting comfortably in genuine leather seats, you can enjoy the sight of handcrafted genuine Driftwood inlay and the Inscription-exclusive Orrefors® Crystal Gearshift Knob.

T5 AWD | INSCRIPTION
Leather Blond, UD70,
Charcoal Headlining (Optional) |
Driftwood Inlays, NCOC

The stainless steel front tread plates give a sophisticated welcome every time you enter your XC40 Inscription.

The unique Inscription grille features high-gloss black inserts, vertical chrome bars, and chrome frame. Our signature design LED Thor's Hammer headlights and matte silver finish front skid plate create a distinctive and luxurious look.



The XC40 Inscription radiates style and confidence from any angle, not least from behind with its beautifully sculpted, uncluttered rear section with a matte silver rear skid plate and integrated dual tailpipes.

Our concave Driftwood Inlays gives the look and feel of wood shaped by the natural force of water, wind, and waves. Interior High-Level Illumination guides further enhance the cabin's sophisticated ambiance.



The leather comfort seats are ergonomically designed to provide excellent comfort wherever you go.



The XC40 Inscription exterior with its distinctive design touches expresses the essence of modern Swedish luxury. The wide exterior color palette – including four unique XC40 Inscription body colors – allows you to create the XC40 Inscription that truly reflects your style and personality. Available in several different designs, the large alloy wheels connect visually with the exterior design cues to enhance your city SUV's powerful stance and stylish looks.



20" 5-Spoke
Black Diamond Cut Alloy Wheel, 917
(Optional)



19" 5-Double Spoke
Black Diamond Cut Alloy Wheel, 924
(Optional)

18" 6-Spoke
Black Diamond Cut Alloy Wheel
(Standard)



707 Crystal White Metallic

SELECTED INSCRIPTION BODY COLORS
To further enhance the stylish presence of your XC40 Inscription, our designers have selected four dedicated metallic body colors with a uniquely rich and contemporary touch: 719 Luminous Sand metallic, 722 Maple Brown metallic, 723 Denim Blue metallic, and 724 Pine Grey metallic.



711 Bright Silver Metallic



717 Onyx Black Metallic



719 Luminous Sand Metallic



722 Maple Brown Metallic



723 Denim Blue Metallic



724 Pine Grey Metallic

Everything about the XC40 Inscription exudes conscientious design and meticulous craftsmanship. It's a city SUV to be proud of, a feeling that manifests on the inside with considerate features such as comfort seats upholstered in fine leather, handcrafted genuine Driftwood Inlays, several interior color combinations, and an Orrefors® crystal gear shift knob making it easy to tailor your very own XC40 Inscription experience.

Leather Charcoal, RD00,
Charcoal Headlining (Optional)



Leather Amber, RD20,
Charcoal Headlining



Leather Blond, UD70,
Blond Headlining



Leather Charcoal, RD00,
Blond Headlining



Leather Oxide Red, RD90,
Charcoal Headlining



Driftwood Inlays, NCOC



Leather Blond, UD70,
Charcoal Headlining (Optional)

Available in distinctive upholstery colors such as Oxide Red, the leather comfort seats allow a wide range of adjustment possibilities, including 4-way power lumbar support.





EASIER OWNERSHIP

Choosing a Volvo means you are also choosing the simplest way to own a car. Whatever your car needs, your authorized Volvo workshop will take care of it for you and make sure that your Volvo stays in shape.

We have our own approach to service that's personal and efficient, and takes care of you as well as it takes care of your car. We call it Service by Volvo, and it provides everything you need in the simplest way possible.

Your Volvo dealer offers a whole range of services, all designed around you to ensure a carefree ownership experience. It's because everything we do is about finding new ways to make ownership – and your life – less complicated, and to help you make better use of your time.

MAINTENANCE SERVICE

When you bring your Volvo in for maintenance service at an authorized Volvo Cars workshop, a lot of extras are included to make your visit more convenient and rewarding. We update your car's software to the latest version, which means that your Volvo can become a little better at every service. We also offer you Volvo Roadside Assistance so that whenever you need us, we're just a phone call away. Whether you require roadside services or maps and routing information for your next trip, we're here to help you. Your complimentary four-year membership activates the moment you become a Volvo owner.

A complimentary car health check is also performed on your car when it is with us. We can also provide you with alternative transportation should you need it, and even wash your Volvo for you.

CARE BY VOLVO

A NEW WAY TO GET BEHIND THE WHEEL

Care by Volvo lets you experience the very best a brand-new car has to offer, with extras that complement your lifestyle, while removing all of the downsides of traditional ownership. Forget about taking care of the insurance, maintenance, and service - leave all that to us. One monthly fee covers everything you need to hit the road. All you need to do is get behind the wheel of your new Volvo and enjoy yourself.

INCLUDES:

- No Down Payment
- 15,000 Annual Miles
- 24/7 Volvo Concierge
- Roadside Assistance
- Liberty Mutual Premium Insurance
- Optional Upgrade Every 12 Months

Visit us online at volvocars.us/carebyvolvo to get started with Care by Volvo. The whole process takes place on your phone or computer - choose your colors and your preferred Volvo dealer, and with a simple \$500 deposit (to be applied to your first monthly payment) your car is reserved. From there, our 24/7 Volvo concierge will contact you to schedule delivery of your brand-new Volvo.



T5 AWD | R-Design
707 Crystal White Metallic | 20" 5-Double Spoke
Matte Black Diamond Cut Alloy Wheels, 920



YOUR XC40 – THE WAY YOU WANT IT

Create an XC40 that's perfect for the way you live, with impressive Volvo accessories designed around you and your car.

Our range of exterior accessories is carefully crafted to boost the inherent versatility and ruggedness of the XC40. Designed to look good

and work flawlessly, they are made from tough, high-quality materials. XC40 accessories are built to withstand everything that life – and the elements – throw at them.



LOAD CARRIER

Your XC40 is there to help you pursue your passions, and our stylish low-profile load carriers allow you to take what you love with you. Easy to fit, they instantly allow you to fit our load carrier accessories, from the bike rack to the canoe holder.

FOLDABLE TOWBAR

Easily detachable, this robust hitch adds convenience by optimizing your Volvo's towing and loading potential. Supplied complete and ready to install with full certification. By simply removing a pin, the ball section is removed, allowing for the addition of tow hitch mounted accessories.



MUD FLAPS

Keep your car looking good with specially designed mudflaps that fit the body of the XC40 perfectly, deflecting dirt and grime from the car's bodywork.



21" ACCESSORY WHEEL

For the strongest expression of the tough, sporty character of the XC40, choose our 21" 5-Triple Open Spoke Black Diamond Cut Alloy Wheel with summer tires. These beautifully crafted wheels perfectly complement the car's uncluttered lines.

BUILT TO BE USEFUL

The interior accessories available for the XC40 are designed to make your Volvo even more practical and durable, so that it's an even more useful part of your life. Whether it's helping you to carry your things as securely and easily as possible, or protecting the interior of your car,

our range of accessories makes life less complicated and allows you to use the full range of your car's capabilities. And because these are Volvo-designed accessories, you can be sure that they are built to last, effortless to use, and fit your XC40 perfectly.

LOAD COMPARTMENT MATS

Accessory load compartment mats help you keep the interior of your XC40 as good as new, whatever you're doing. There's a tough plastic mat with raised edges that's rugged and easy to clean, and a reversible mat that has high-quality textile on one side and durable plastic on the other, to suit differing needs.



ALL-WEATHER MATS

These durable mats protect the interior of your XC40 from muddy boots and shoes. Shaped to fit the footwells perfectly, they won't slip or shift on the move. Raised edges stop wet and dirt leaking into the car's carpet.



STEEL GRILLE

Our strong steel grille provides a sturdy barrier between the passenger and load compartments, preventing unsecured loads from causing harm in the cabin. Fitted using simple attachment points, it helps you transport large or bulky items as safely and securely as possible.



SENSUS

SENSUS OPTIONS.

Sensus Connect comes with a host of features as standard equipment: there's the easy-to-use 9" Sensus Touchscreen, the eye-catching 12.3" Digital Driver Display, our High Performance audio system, voice control, and smartphone connectivity options with both Apple CarPlay™ and Android Auto™. All this, combined with the standard Volvo on Call and onboard WiFi hotspot means you'll always be able to stay connected, wherever your journey takes you.

And if you'd like to take things a step further, there's a wealth of options. Sensus Navigation incorporates mapping directly into your 9" Sensus Touchscreen and can even display your position and directions in the middle of the 12.3" Digital Driver Display to make finding your way a breeze. Upgrade to the top-of-the-line Harman/Kardon audio system with 13 speakers and Air Woofer Technology™ and enjoy your favorite songs as they were meant to be heard.

SENSUS CONNECT STANDARD

Includes the following standard features:

- 12.3" Digital Driver Display
- 9" Sensus Touchscreen
- Bluetooth® Audio Streaming
- SiriusXM™ Satellite Radio with Trial Subscription
- Smartphone Integration with an additional USB input (Apple CarPlay™ for iPhone® 5 or later, or Android Auto™ for Android smartphone 5.0 Lollipop or later)
- USB Inputs
- WiFi Hotspot
- Voice Control
- Steering Wheel Controls
- Tethering via WiFi or Bluetooth®
- 250 watt High Performance Audio System with 8 Speakers, including Air Woofer Technology™
- Volvo On Call with Engine Remote Start 4-Year Complimentary Subscription
- Digital Owner's Manual
- Connected Service Booking

Includes these standard apps:

(Data trial period of 6 months or 3 GB included)

- Pandora
- Spotify
- TuneIn (Internet Radio)
- Local Search by Google
- Wiki Locations
- Weather
- Send to Car
- Glympse
- Yelp
- Park&Pay

For more information, please contact your Volvo dealer.

SENSUS CONNECT OPTIONS

- Sensus Navigation Pro

HARMAN/KARDON®

Our top-of-the-line audio system, developed exclusively for your XC40 together with the renowned high-end audio manufacturer Harman/Kardon®:

- 600 watt Harman Kardon® Premium Audio System with 13 Speakers, including Air Woofer Technology™

INTELLISAFE

INTELLISAFE OPTIONS.

Your Volvo XC40 comes with comprehensive IntelliSafe technologies as standard, including all the safety you'd expect from a Volvo and more. You'll also get City Safety, which encompasses technologies designed to help avoid collisions with other vehicles, pedestrians, cyclists, and large animals. City Safety can also autobrake if you're about to turn into the path of an oncoming car in an intersection, while Oncoming Lane Mitigation helps you avoid collisions with

oncoming vehicles by providing automatic steering assistance. Available Pilot Assist supports your driving with semi-autonomous driving technologies in addition to Adaptive Cruise Control.

Add Vision Package, and you'll get the benefit of technology that alerts you to vehicles approaching in your blind spot or from behind for your safety and confidence.

INTELLISAFE STANDARD

- Driver Alert Control
- Road Sign Information
- Lane Keeping Aid
- Automatic braking after a collision
- City Safety™ (Vehicle detection, Pedestrian and cyclist detection, Autobrake at intersection, Large animal detection)
- Safety cage
- Seatbelts with reminders on all seats
- Seatbelt pretensioners for all outer seats
- Front, Side & Curtain Airbags; Driver Side Knee Airbag
- Brake pedal release
- WHIPS™ – Whiplash Injury Protection System
- Run-Off Road Mitigation
- Run-Off Road Protection
- SIPS™ – Side Impact Protection System
- Oncoming Lane Mitigation
- Emergency Crash Notification
- Electronic Stability Control

INTELLISAFE OPTIONS

- Pilot Assist – Semi-Autonomous Drive System with Adaptive Cruise Control (Premium Package)
- Blind Spot Information System (BLIS) & Cross Traffic Alert with Autobrake (Vision Package)
- Rear Collision Warning with Braking at Standstill (Vision Package)
- Park Assist Pilot (Vision Package)
- Front and Rear Park Assist (Vision Package)
- 360° Surround View Camera + Visual Park Assist (Advanced Package)

Apple CarPlay and CarPlay are trademarks of Apple Inc. Android Auto is a trademark of Google Inc.

For more information, please see: www.apple.com/ios/carplay/ or www.android.com/auto/

XC40 STANDARD FEATURES

Choose your XC40 powertrain (T4 FWD or T5 AWD) and then select your Trim Level (Momentum, R-Design or Inscription).

STANDARD FEATURES	Momentum	R-Design	Inscription
Value			
Volvo On Call for 4 years (See p. 22)	●	●	●
Complimentary Factory Scheduled Maintenance for 3 years, 36,000 miles 4 years, 50,000 miles New Car Warranty	●	●	●
Safety			
Volvo On Call Automatic Crash Notification and Emergency Calling for 10 years	●	●	●
Intellisafe (See p. 79)	●	●	●
Exterior			
Keyless Engine Start / Turn-Off	●	●	●
Power Tailgate with Programmable Height	●	●	●
Keyless Entry with Handsfree Tailgate Opening	○	●	●
Leather Key Fob		●	●
18" Alloy Wheels with All Season Tires	●	●	●
19" Alloy Wheels with All Season Tires	○	●	○
LED Headlights with Thor's Hammer Daytime Running Lights & Auto Highbeam (AHB)	●	●	●
Roof Rails	●	●	●
Hidden Tailpipes	●		
Integrated Dual Tailpipes		●	●
Tinted Windows, Rear & Cargo	●	●	●
"Under Wrap" Doors	●	●	●
Dynamic Chassis	●		●
Sport Chassis		●	
Rain Sensing Windshield Wipers	●	●	●
Exterior Roof in Body Color	●		●
Black Contrast Roof		●	
Interior			
Panoramic Moonroof	○	○	●
Leather Upholstery	●		●
Perforated Fine Nappa Leather/Nubuck Upholstery		●	
8-way, Power Driver Seat & Driver Seat Memory with 4-way Power Lumbar	●	●	●
8-way, Power Passenger Seat	○	●	●
Manual Cushion Extension, Driver & Passenger Seat		●	●
Auto-Dimming Interior Rearview Mirror	○	●	●
Sensus Connect Infotainment System with 9" Touchscreen	●	●	●

STANDARD FEATURES	Momentum	R-Design	Inscription
12.3" Digital Driver Display	●	●	●
Sensus Navigation Pro	○	●	●
Voice Control	●	●	●
Smartphone Integration (Apple CarPlay & Android Auto)	●	●	●
Bluetooth Connectivity with Audio Streaming	●	●	●
SiriusXM™ Satellite Radio with Trial Subscription	●	●	●
AM / FM / HD Radio	●	●	●
Leather Steering Wheel	●	●	●
Sport Steering Wheel with Gearshift Paddles		●	
Automatic Climate Control	●	●	●
2-Zone Automatic Climate Control	○	●	●
Clean Zone Air Quality System	●	●	●
Interior High-level Illumination	○	●	●
Urban Grid Decor Inlays	●		
Cutting Edge Aluminum Decor Inlays		●	
Driftwood Inlays			●
Leather Gearshift Knob	●	●	
Orrefors® Crystal Gearshift Knob			●
Versatility			
Rear Park Assist Camera	●	●	●
Hill Descent Control / Hill Start Assist	●	●	●
Cruise Control	●	●	●
USB Connectors, 2 Front & 1 Rear	●	●	●
Split Folding Backrest with Load-Through Hatch	●	●	●
Stainless Steel Cargo Scuff Plate		●	●
Drive-Mode Settings	●	●	●

● = Standard ○ = Optional Blank = Not available

XC40 SINGLE OPTIONS

SINGLE OPTIONS	Momentum	R-Design	Inscription
Metallic Paint	○	○	○
White Contrast Exterior Roof	○		
Lava Carpet - Floor, Tunnel Console, and Door Inserts		○	
Charcoal Headliner	○	●	○
Four-C Suspension (Available Mid-2018)	○	○	○
Harman Kardon® Premium Sound System - 13 Speakers (Only Available in Multimedia Package on Momentum)	○	○	○
Heated Front Seats & Steering Wheel	○	○	○
Auto Dimming Interior Rearview Mirror	○	●	●
20" 5-Spoke Black Diamond Cut Alloy Wheel	○		○
20" 5-Double Spoke Matt Black Diamond Cut Alloy Wheel		○	
19" 5-Spoke Black Diamond Cut Alloy Wheel	○		
19" 5-Spoke Black White Alloy Wheel, Requires White Roof and Includes White Mirror Caps	○		
19" 5-Double Spoke Black Diamond Cut Alloy Wheel			○

● = Standard ○ = Optional Blank = Not available



The Bluetooth word mark and logos are owned by the Bluetooth SIG, Inc. and any use of such marks by Volvo Car Corporation is under license. Other trademarks and trade names are those of their respective owners.

If you decide to continue service after your trial, the subscription package and plan you choose will automatically continue until you call SiriusXM to cancel it. See Customer Agreement for complete terms at www.siriusxm.com

XC40 OPTIONAL PACKAGES:

PREMIUM PACKAGE*	
<ul style="list-style-type: none"> Wireless Charging Pad Pilot Assist - Semi Autonomous Drive System with Adaptive Cruise Control HomeLink™ & Compass Integrated in Rearview Mirror Power Folding Rear Backrest From Tailgate Opening & Power Headrests Hidden storage compartment under drivers seat Removable/Folding Load Floor with Grocery Bag Holders 	<ul style="list-style-type: none"> Heated Windscreen Wiper Blades Power Child Lock, Rear Doors 8-Way Power Passenger Seat (Momentum) Keyless Entry with Hands-free Tailgate Opening (Momentum) 2-Zone Automatic Climate Control (Momentum) Interior High Level Illumination (Momentum)
*Selecting Premium Package requires the addition of Auto Dimming Interior Rearview Mirror or Vision Package	

VISION PACKAGE	
<ul style="list-style-type: none"> Blind Spot Information System & Cross Traffic Alert with Autobrake Park Assist Pilot & Front and Rear Park Assist Sensors Retractable Rearview Mirrors 	<ul style="list-style-type: none"> Auto Dimming Exterior Mirrors Auto Dimming Interior Rearview Mirror (Momentum)

ADVANCED PACKAGE (Vision Package Required)	
<ul style="list-style-type: none"> 360° Surroundview Camera Active Bending LED Headlights 	<ul style="list-style-type: none"> LED Fog Lights w/ Cornering Function (Momentum) Headlight High Pressure Cleaning

MULTIMEDIA PACKAGE (Momentum Only)	
<ul style="list-style-type: none"> Sensus Navigation Pro 600 watt Harman Kardon® Premium Audio System with 13 Speakers, including Air Woofer Technology™ 	

VOLVO OVERSEAS DELIVERY

THE EXPERIENCE BEGINS IN SWEDEN

Volvo Overseas Delivery is a unique program that gives you an exciting opportunity to pick up your new Volvo from our state-of-the-art factory in Gothenburg, Sweden. But that's just the beginning.

THE TRIP INCLUDES:

- A savings off of the US base MSRP, which varies by Model
- Opportunity to personalize your new Volvo*
- Complete travel packages for Sweden and/or Europe via our travel concierge, who can help you personalize your adventure
- Two round-trip plane tickets to Gothenburg, Sweden via SAS/Plus economy seating (including private transport upon arrival)
- One overnight stay at a first-class hotel (including dinner)
- Premium delivery at Factory Delivery Center (including private transport and lunch)
- Guided tour of the Volvo factory and see cars being built
- A visit to the Volvo Museum and/or the Volvo Cars Brand Experience Center
- European car insurance (including Volvo Roadside Assistance and Global warranty coverage) for two weeks**
- Home shipment of your new Volvo



T6 AWD | V90 Cross Country
714 Osmium Grey Metallic | 20" 10-Spoke Tech Matte
Black Diamond Cut Alloy Wheels, 226



V90 Cross Country
Interior | Charcoal in Charcoal Interior (European Spec Shown) |
Iron Ore Aluminum Inlays, 437

Your adventure begins in Volvo's hometown of Gothenburg, located on Sweden's scenic west coast. Here, you will pick up your new Volvo in person as it rolls out of the factory gate. You will then have the chance to explore the world of Volvo, where you will learn all about the unique culture that inspired the elements of your car.

With Volvo Overseas Delivery, you can custom build and personalize* your new Volvo before taking a once-in-a-lifetime trip to pick it up in the country that built and inspired it. Volvo Overseas Delivery delivers a car that is truly designed around you.

Please note: Changes in the order of your day's schedule may occur.

If you would like to know more about Overseas Delivery, contact your local Volvo dealer, the Customer Care Center at (800) 631-1667, or visit volvocars.com/us/osd

* Personalization is based on market requirements and specifications. All options / packages and accessories must be US Market-specific.
** Global Warranty coverage remains in effect until your vehicle returns to the States and is registered with Volvo US.

T6 AWD | V90 R-Design
720 Bursting Blue Metallic | 20" 5-Double Spoke
Matte Black Diamond Cut Alloy Wheels (1056)



Service By Volvo

Taking care of you and your Volvo is our top priority. With a unique approach to service that's personal, professional and efficient, we get you everything you need in the simplest way possible. To make your life less complicated.

Knowing your vehicle is always up to our highest standards for as long as you own it – that's the driving force behind Service by Volvo. To help you get the most out of your Volvo, we'll ensure each service or maintenance provides peak conditioning through our expertly trained technicians, field-tested repair methods, and precision-engineered genuine parts. That's because we focus on our promises to service your car and simplify your life.

OUR SERVICE BY VOLVO PROMISES

When you have your car serviced at an authorized Volvo dealer, we promise to provide you with a premium ownership experience for the life of your vehicle. Enjoy our Lifetime Parts and Labor Warranty,* so you pay only once, knowing your car is always up to our highest standards. Technical software updates** and more. No sign-up required.



* Excludes consumable parts due to normal wear. See dealer for details. Non-transferable.

** New software required as part of a repair or accessory installation is not included.

The most carefree way to own a car.

LEASING OPTIONS

FLEXIBLE TERMS

Leasing is available for terms as short as 24 months or up to 48 months. You can drive a new Volvo car every few years while within the manufacturer warranty and maintenance plans, and without the burden of negotiating trade-in values.

CHOICE OF MILEAGE PLANS

The standard mileage option allows up to 15,000 miles per year; however, several other mileage plans are available to tailor to your commuting needs. Under the low mileage plan options are available as low as 7,500 miles per year, and we also offer a high mileage plan with options as high as 30,000 miles per year.

SINGLE PAYMENT LEASE

A single payment lease provides convenience and savings. You make only one payment, one time, freeing you from monthly payments. It permits you to prepay all monthly payments in a single payment at lease signing. This single total lease payment is less than the amount you would pay over the term of a conventional lease.

MULTIPLE SECURITY DEPOSIT LEASE*

A multiple security deposit lease allows you to place a lump sum refundable security deposit at lease inception, which reduces your monthly rent charge, resulting in substantial savings over the term of the lease. The additional security deposits are refunded to you at the end of the lease term. * Multiple Security Deposit Lease is not available in NY.

BUSINESS LEASE

Under our business lease option, owners have the flexibility to lease the vehicle as the business.

GUARANTEED AUTO PROTECTION (GAP) WAIVER

Our GAP Waiver is included in your lease agreement at no additional cost to you. It is provided to give you peace of mind. If your leased Volvo car is declared a total loss due to theft, accident, or natural disaster, we will cover the difference between the insurance proceeds and the balance owed to Volvo Car Financial Services less any deductible.

EXCESS WEAR AND USE PROTECTION PLAN **

As a part of everyday driving, normal wear and use can be expected. However, when turning in your leased vehicle, you may be responsible for any excess wear and use damage; therefore, Volvo Car Financial Services offers an optional plan to protect you and your car from unexpected occurrences that happen from nature and chance.

** Excess Wear and Use Protection Plan is optional and not available in AK, NM, NY, TX, UT and VT.

SPECIAL PROGRAMS

COLLEGE GRADUATE PROGRAM

You've worked hard to earn your degree. Now the Volvo Graduate Program can make it easy for you to drive a Volvo car. With flexible and competitive financing options available for graduates, Volvo Car Financial Services can help you to step into the luxury of driving a Volvo car with only a 5 percent down payment upon credit approval.

INTERNATIONAL STUDENT PROGRAM

The International Student Program is the easiest way to acquire a vehicle while studying in the US, only from Volvo. Instead of purchasing a car outright, make one easy, upfront payment and drive a brand-new Volvo during your school term. After graduation, drop the car off at your local Volvo retailer. No hassles. You'll only pay for the portion of the car you use. It's as simple as that. Visit www.volvocarsforstudents.com for program details.

VOLVO MOBILITY PROGRAM

The goal of the Volvo Mobility Program is to assist persons with physical disabilities or hearing impairment. For those with exceptional transportation needs, this can be facilitated within the extraordinary comfort and safety of a specially adapted Volvo car. For additional information on this program, please contact **Mobility by Volvo Customer Care at 1-800-550-5658**.

PERSONAL SHOPPER

The Volvo Personal Shopper is dedicated to providing you with a whole new level of shopping convenience. Whether you'd like help identifying the Volvo model that best fits your lifestyle, detailed information on any Volvo model, or a comparison against the competition, Volvo is there to help. We can arrange a Guest Drive for you at your nearest Volvo Retailer. So make the most of your shopping time and call the **Volvo Personal Shopper at 1-800-550-5658**.

SERVICE AND WARRANTY

VOLVO ROADSIDE ASSISTANCE

Whenever you need us, we're just a phone call away. Our nationwide network of retailers and authorized service providers are ready to assist. Whether you require roadside assistance or maps and routing information for your next trip, refer to your Volvo Roadside Assistance card and dial **1-800-63-VOLVO** at any time. Your complimentary four-year membership activates the moment you become a Volvo owner. A connection to Volvo Roadside Assistance/US is available through your App Store.

VOLVO NEW CAR WARRANTY

Your new-car warranty provides comprehensive coverage for four years or 50,000 miles, whichever occurs first. Additional warranties cover corrosion, seat belts, the supplemental restraint system, hybrid components, emission systems, genuine Volvo car replacement parts and genuine Volvo accessories. Should you encounter any problem with your Volvo car, simply contact the nearest retailer for assistance. Where your warranty ends, Volvo Increased Protection (VIP) plans begin. To purchase the additional protection of a VIP plan, contact your local retailer.

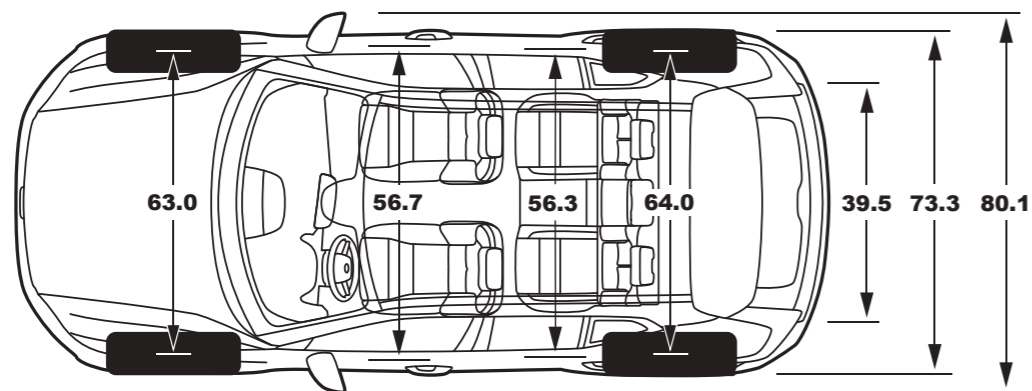
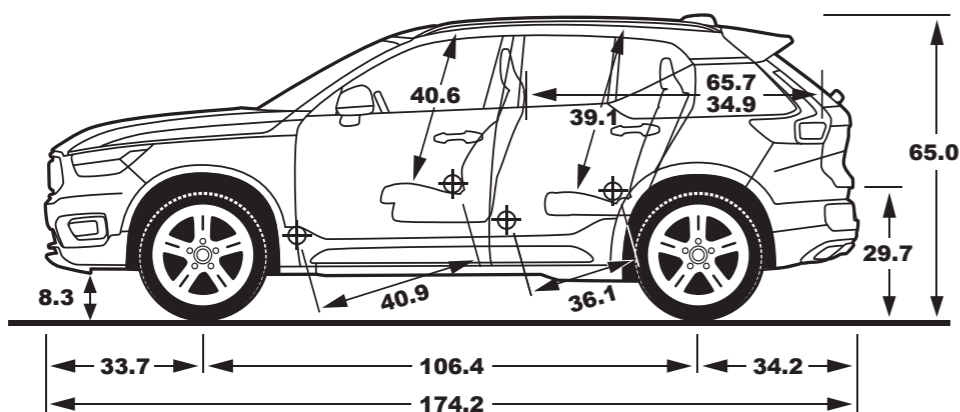
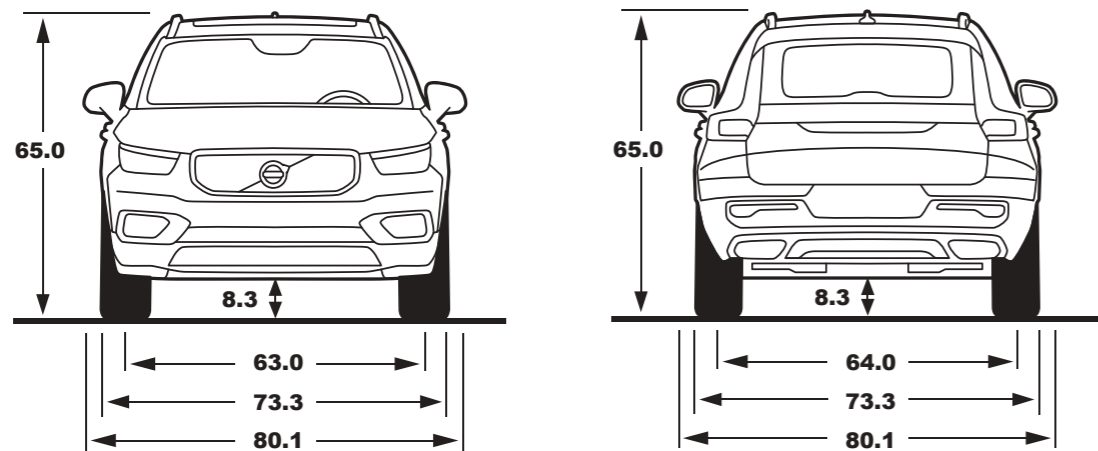
COMPLIMENTARY FACTORY SCHEDULED MAINTENANCE

Volvo Cars is committed to a premium ownership experience for its customers. To further enhance your ownership experience, all 2019 model year Volvo Cars sold in the United States will include Complimentary Factory Scheduled Maintenance. This program provides scheduled maintenance coverage for the first three years or 36,000 miles, whichever occurs first, and is designed to complement your Volvo warranty, helping ensure trouble-free operation of your Volvo. Coverage includes factory-recommended maintenance including oil and filter changes, checks and adjustments as listed in your Warranty and Maintenance Records Information booklet, for the first three maintenance services at intervals of 10,000, 20,000 and 30,000 miles.

Each service must be performed within 1,500 miles before or after each scheduled interval. Coverage is limited to scheduled maintenance items listed in the 2019 model year Warranty and Maintenance Records Information booklet. An authorized retailer must perform maintenance. Offer is transferable. Optional Prepaid Maintenance Plan upgrades are also available that will allow you to customize coverage to meet your driving needs. See your Volvo retailer for details.

FINANCE OPTIONS

Volvo Car Financial Services (VCFS) offers affordable and competitive financing on new and Volvo Certified Pre-Owned cars. Our low rates and flexible terms can get you behind the wheel of the Volvo you want to drive with finance terms up to 75 months. Volvo Car Financial Services also offers financing on vehicles purchased under the Overseas Delivery Program.



	T4 FWD	T5 AWD
Engine:	2.0L, Turbocharged	2.0L, Turbocharged
Horsepower at rpm:	187-hp @ 4,700 rpm	248-hp @ 5,500 rpm
Acceleration 0-60 mph:	TBD	6.1 sec
Max Torque lb-ft at rpm:	221 lb-ft @ 1,400-4,000 rpm	258 lb-ft @ 1,800-4,800 rpm
Transmission:	8 - Speed Automatic Geartronic	8 - Speed Automatic Geartronic
Fuel Economy, City/Highway/Combined:	TBD	TBD
Fuel Tank Capacity:	14.2 Gallons	14.2 Gallons
Cargo Space, Max (cu ft):	57.5	57.5
Exterior Length/Width/Height including Shark Fin Antenna (inches):	174.2 / 80.1 / 65.3	174.2 / 80.1 / 65.3
Interior Headroom with out Panoramic Moonroof (Front/Rear):	39.0 / 39.1	39.0 / 39.1
Interior Headroom with Panoramic Moonroof (Front/Rear):	37.6 / 38.3	37.6 / 38.3
Interior Legroom (Front/Rear):	40.9 / 36.1	40.9 / 36.1
Seating Capacity:	5	5
Top speed, mph:	130	130

All technical data may be subject to change. Please talk to your Volvo dealer for the latest information.

Please note: Some of the information in this brochure may be incorrect due to changes in product specifications that may have occurred since printing. Some of the equipment described or shown may now only be available at extra cost. Before ordering, please ask your Volvo dealer for the latest information. The manufacturer reserves the right to make changes at any time and without notice to prices, colors, materials, specifications and models.

V O L V O

MODEL YEAR 2019 | VOLVOCARS.US

Specifications, features, and equipment shown in this catalog are based upon the latest information available at the time of publication. Some models shown with European specifications. Volvo Car USA, LLC reserves the right to make changes at any time, without notice, to colors, specifications, accessories, materials, and models. For additional information, please contact your authorized Volvo Cars dealer. © 2018 Volvo Car USA, LLC. Printed in USA. **MY19**